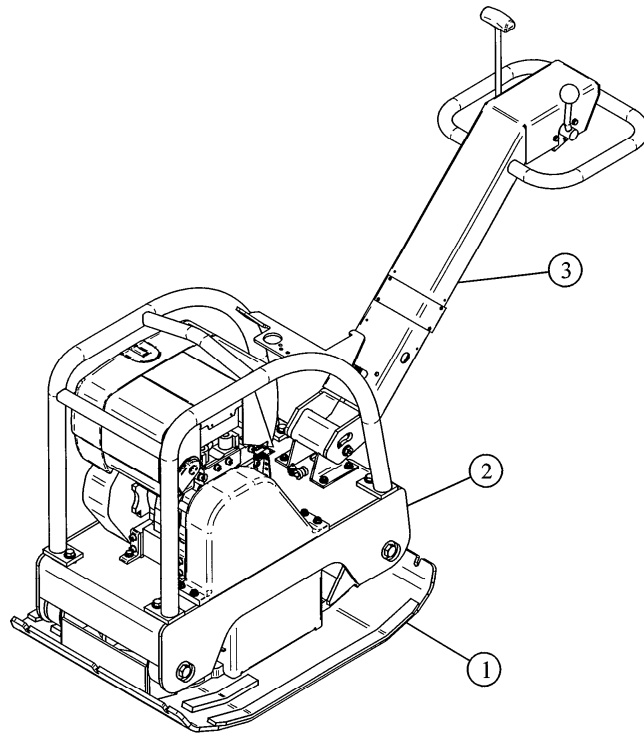


PLANCHA

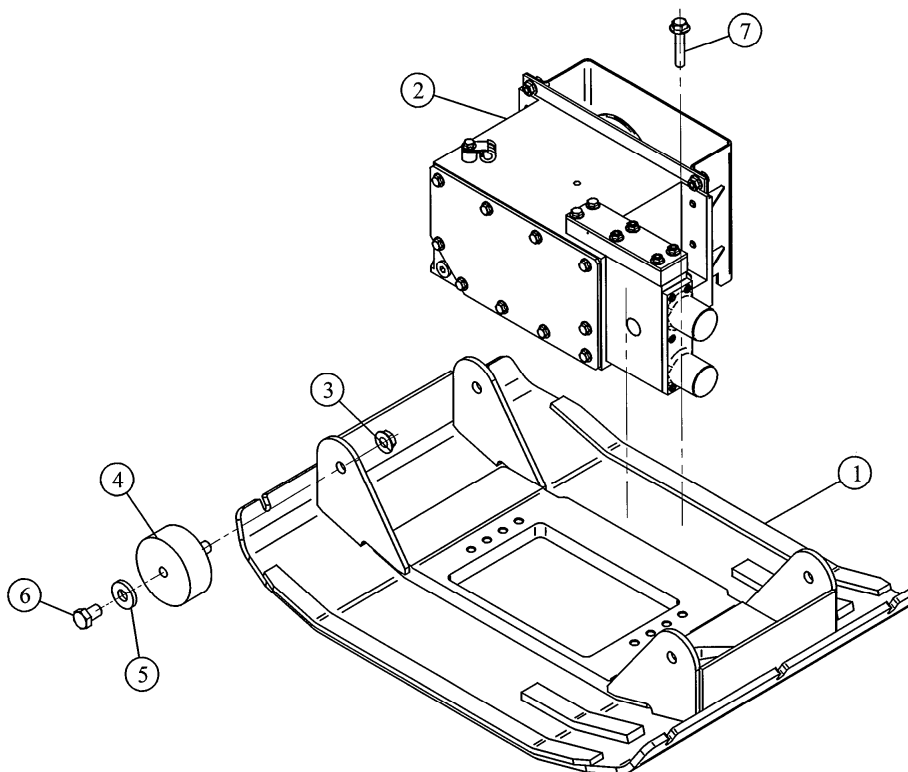


505.407.001 PLANCHA

SHEET
PLAQUE
PLATTE

NUMERO	NOTAS	CÓDIGO	Ud.	DENOMINACIÓN	DESCRIPTION	DESIGNATION	BESCHREIBUNG
1	1)	200.000.042	1	PLACA COMPLETA	PLATE COMP	PLAQUE COMPL.	BODENWANNE KPL.
2	1)	479.151.286	1	MTJE. MOTOR EQP	ENGINE ASSEMB.	MTJE. MOTEUR	MOTORAUFBAU
3	1)	479.151.284	1	LANZA	CART POLE	LANCE	STRAHLWERFER
1) Ver despiece			1) See parts		1) Voir pieces detachee		1) Details sehen

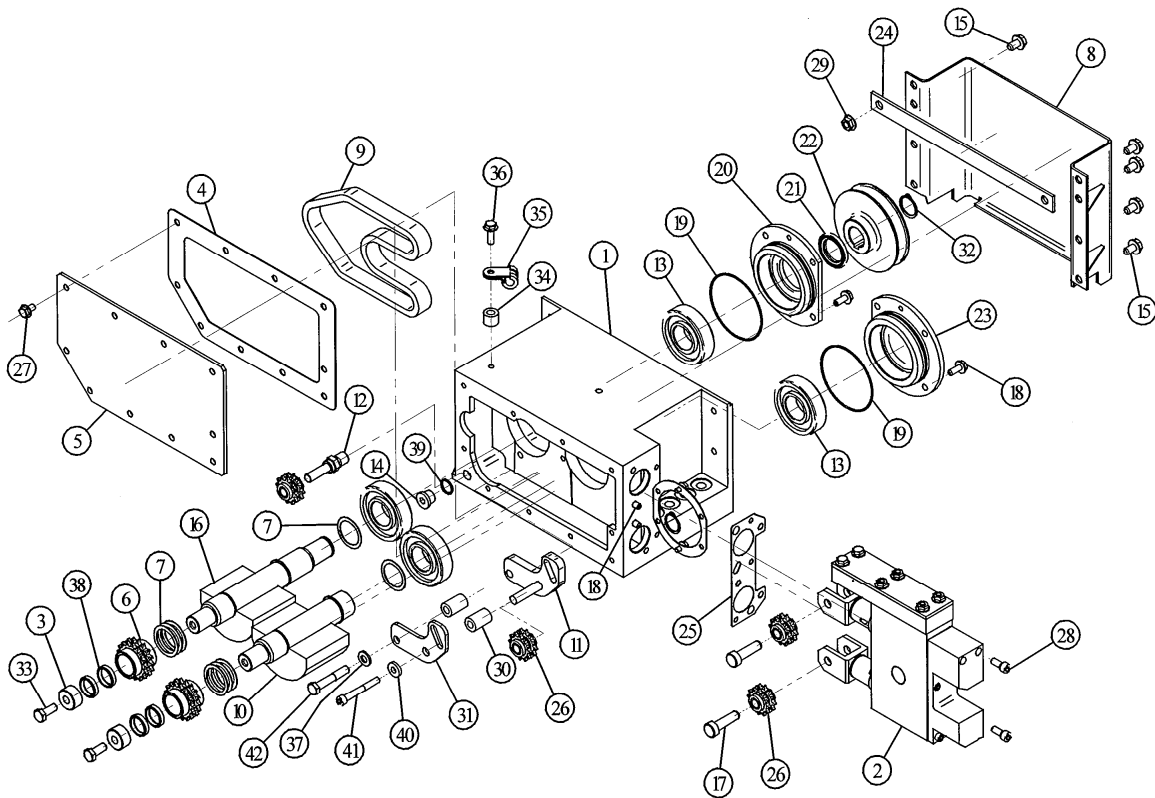
PLACA COMPLETA



**200.000.042 PLACA COMPLETA
PLATE COMP
PLAQUE COMPL.
BODENWANNE KPL.**

NUMERO	NOTAS	CÓDIGO	Ud.	DENOMINACIÓN	DESCRIPTION	DESIGNATION	BESCHREIBUNG
1a	390 mm	479.143.430	1	PLACA BASE	BASE PLATE	PLAQUE DE BASE	BODENPLATTE
1b	480 mm	479.143.431	1	PLACA BASE	BASE PLATE	PLAQUE DE BASE	BODENPLATTE
1c	580 mm	479.143.432	1	PLACA BASE	BASE PLATE	PLAQUE DE BASE	BODENPLATTE
2	1)	479.151.215	1	CAJA VIBRACION	VIBRATION BOX	BOITE VIBRATION	VIBRAT.GEHAUSE
3		479.094.722	4	TUERCA	NUT	ECROU	MUTTER
4		479.197.407	4	AMORTIGUADOR	SHOCK ABSORBER	AMORTISSEUR	SCHWINGMETALL
5		479.092.660	4	ARANDELA	WASHER	RONDELLE	SCHEIBE
6		479.097.642	4	TORNILLO	SCREW	VIS	SCHRAUBE
7		479.198.144	8	TORNILLO	SCREW	VIS	SCHRAUBE
1) Ver despiece		1) See parts		1) Voir pieces detachee		1) Details sehen	

CAJA VIBRACION

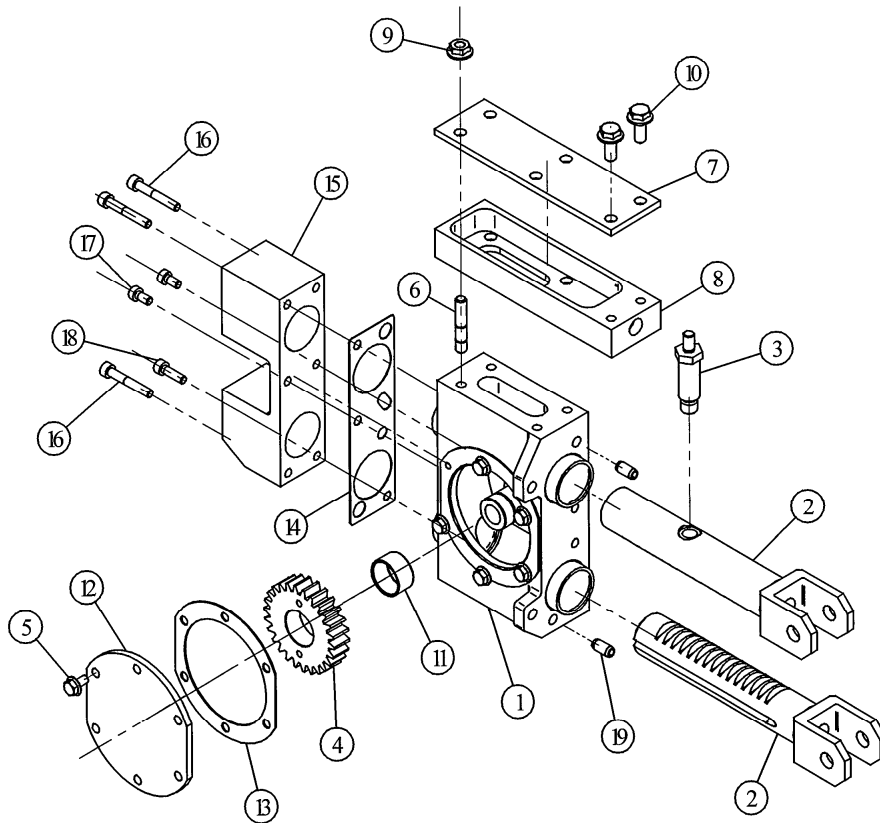


479.151.215 CAJA VIBRACION VIBRATION BOX BOITE VIBRATION VIBRAT.GEHAUSE

NUMERO	NOTAS	CÓDIGO	Ud.	DENOMINACIÓN	DESCRIPTION	DESIGNATION	BESCHREIBUNG
1		479.143.491	1	CARCASA	HOUSING	CARTER	GEHAUSE
2	1)	479.147.300	1	MANDO	HANDLE	COMMANDE	STEUERUNG
3		479.151.066	2	CASQUILLO	BUSHING	DOUILLE	BUCHSE
4		479.151.524	1	JUNTA	GASKET	JOINT	DICHTUNG
5		479.151.274	1	TAPA	COVER	COUVERCLE	DECKEL
6		479.151.059	2	ENGRANAJE	GEAR	ENGRENAGE	GETRIEBE
7		479.197.383	8	ARANDELA	WASHER	RONDELLE	SCHEIBE
8		479.145.506	1	PROTECTOR	PROTECTOR	PROTECTEUR	SCHUTZ
9		479.290.319	1	CADENA	CHAIN	CHAINE	KETTE
10	1)	479.151.229	1	EJE	AXLE	AXE	ACHSE
11		479.151.234	1	SOPORTE	BRACKET	SUPPORT	LAGERUNG
12		479.151.092	1	EJE	AXLE	AXE	ACHSE
13		479.197.390	4	RODAMIENTO	BEARING	ROULEMENT	LAGER
14		479.093.055	1	TAPON	PLUG	BOUCHON	VERSCHLUSS
15		479.198.754	8	TORNILLO	SCREW	VIS	SCHRAUBE
16	1)	479.151.519	1	EJE	AXLE	AXE	ACHSE
17		479.151.308	2	BULON	BOLT	BOULON	BOLZEN
18		479.197.370	10	TORNILLO	SCREW	VIS	SCHRAUBE
19		479.290.318	2	JUNTA TORICA	O-RING	JOINT TORIQUE	RUNDDICHTRING
20		479.145.508	1	TAPA	COVER	COUVERCLE	DECKEL
21		479.197.382	1	RETEN	OIL SEAL	BAGUE ETANCH.	DICHTRING

22	479.143.464	1 POLEA	PULLEY	POULIE	RIEMENSCHLEIBE
23	479.145.507	1 TAPA	COVER	COUVERCLE	DECKEL
24	479.148.953	1 PLETINA	PLATE	TOLE	FLACHEISEN
25	479.151.314	1 JUNTA	GASKET	JOINT	DICHTUNG
26	479.151.062	4 PIÑON	PINION	PIGNON	RITZEL
27	479.197.386	10 TORNILLO	SCREW	VIS	SCHRAUBE
28	479.091.160	2 TORNILLO	SCREW	VIS	SCHRAUBE
29	479.090.028	2 TUERCA	NUT	ECROU	MUTTER
30	479.151.598	2 CASQUILLO	BUSHING	DOUILLE	BUCHSE
32	479.090.543	1 ANILLO ELASTICO	CIRCLIP	CIRCLIP	SICHERUNGSRING
33	479.194.650	2 TORNILLO	SCREW	VIS	SCHRAUBE
34	479.041.082	1 DISTANCIADOR	SPACER RING	ENTRETOISE	ZWISCHENRING
35	479.193.120	1 ABRAZADERA	CLAMP	COLLIER	SHELLE
36	479.093.413	1 TORNILLO	SCREW	VIS	SCHRAUBE
37	479.094.178	1 ARANDELA	WASHER	RONDELLE	SCHLEIBE
38	479.290.243	4 ARANDELA	WASHER	RONDELLE	SCHLEIBE
39	479.090.002	1 ARANDELA	WASHER	RONDELLE	SCHLEIBE
40	479.094.735	1 ARANDELA	WASHER	RONDELLE	SCHLEIBE
41	479.191.259	1 TORNILLO	SCREW	VIS	SCHRAUBE
42	479.290.261	1 TORNILLO	SCREW	VIS	SCHRAUBE
1) Ver despiece		1) See parts		1) Voir pieces detachee	
				1) Details sehen	

MANDO

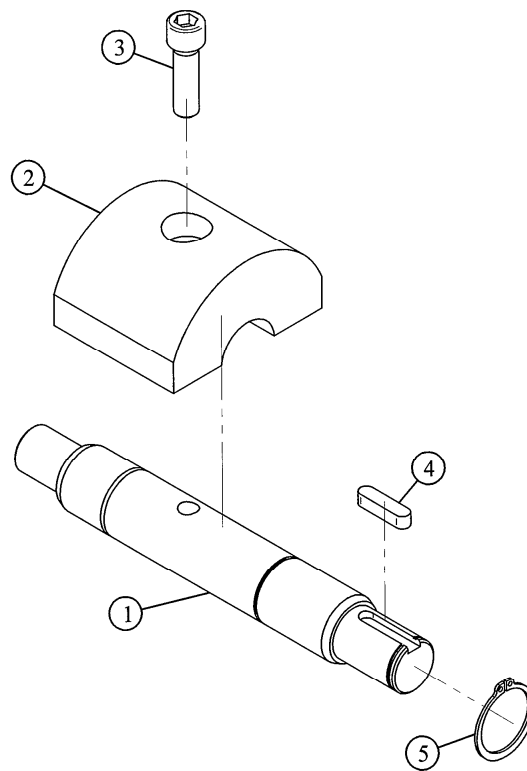


479.147.300 MANDO

**HANDLE
COMMANDE
STEUERUNG**

NUMERO	NOTAS	CÓDIGO	Ud.	DENOMINACIÓN	DESCRIPTION	DESIGNATION	BESCHREIBUNG
1		479.147.301	1	CARCASA	HOUSING	CARTER	GEHAUSE
2		479.151.309	2	CREMALLERA	RACK	CREMAILLERE	SHNEIKENZAHNST.
3		479.151.276	1	BULON	BOLT	BOULON	BOLZEN
4		479.145.512	1	RUEDA DENTADA	GEAR	ENGRENAGE	ZAHNRAD
5		479.197.387	6	TORNILLO	SCREW	VIS	SCHRAUBE
6		479.198.170	4	ESPARRAGO	STUD	TOURILLON	STEBBOLZEN
7		479.143.477	1	TAPA	COVER	COUVERCLE	DECKEL
8		479.143.476	1	TAPA CABLE	CABLE COVER	COUBERCLE CABLE	SCHUTZABDECKUNG
9		479.096.187	4	TUERCA	NUT	ECROU	MUTTER
10		479.197.370	2	TORNILLO	SCREW	VIS	SCHRAUBE
11		479.198.149	1	CASQUILLO	BUSHING	DOUILLE	BUCHSE
12		479.151.581	1	TAPA	COVER	COUVERCLE	DECKEL
13		479.151.548	1	JUNTA	GASKET	JOINT	DICHTUNG
14		479.151.314	1	JUNTA	GASKET	JOINT	DICHTUNG
15		479.143.466	1	TAPA	COVER	COUVERCLE	DECKEL
16		479.095.600	3	TORNILLO	SCREW	VIS	SCHRAUBE
17		479.198.052	2	TORNILLO	SCREW	VIS	SCHRAUBE
18		479.090.347	1	TORNILLO	SCREW	VIS	SCHRAUBE
19		479.093.307	2	PITON	BOLT	BOULON	BOLZEN

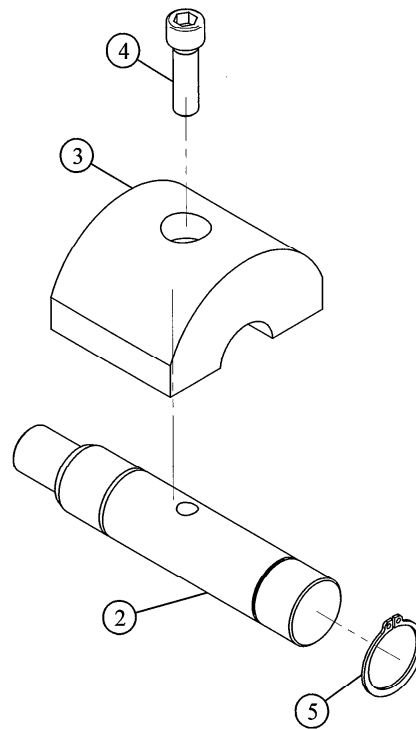
EJE



**479.151.519EJE
AXLE
AXE
ACHSE**

NUMERO	NOTAS	CÓDIGO	Ud.	DENOMINACIÓN	DESCRIPTION	DESIGNATION	BESCHREIBUNG
1		479.151.518	1	EJE	AXLE	AXE	ACHSE
2		479.143.474	1	MASA EXCENTRICA	ECCENTRIC MASS	MASSE EXCENTR.	EXZENTERMASSE
3		479.198.212	1	TORNILLO	SCREW	VIS	SCHRAUBE
4		479.091.226	1	CHAVETA	FITTING KEY	CLAVETTE	PASSFEDER
5		479.090.555	1	ANILLO ELASTICO	CIRCLIP	CIRCLIP	SICHERUNGSRING

EJE

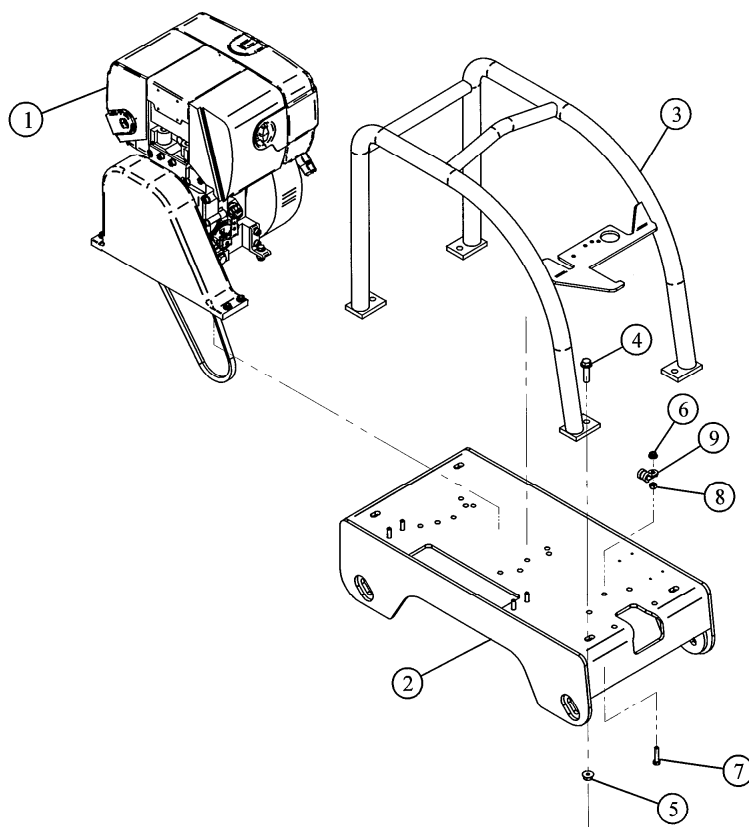


479.151.229 EJE

**AXLE
AXE
ACHSE**

NUMERO	NOTAS	CÓDIGO	Ud.	DENOMINACIÓN	DESCRIPTION	DESIGNATION	BESCHREIBUNG
2		479.151.225	1	EJE	AXLE	AXE	ACHSE
3		479.143.473	1	MASA EXCENTRICA	ECCENTRIC MASS	MASSE EXCENTR.	EXZENTERMASSE
4		479.198.212	1	TORNILLO	SCREW	VIS	SCHRAUBE
5		479.090.555	1	ANILLO ELASTICO	CIRCLIP	CIRCLIP	SICHERUNGSRING

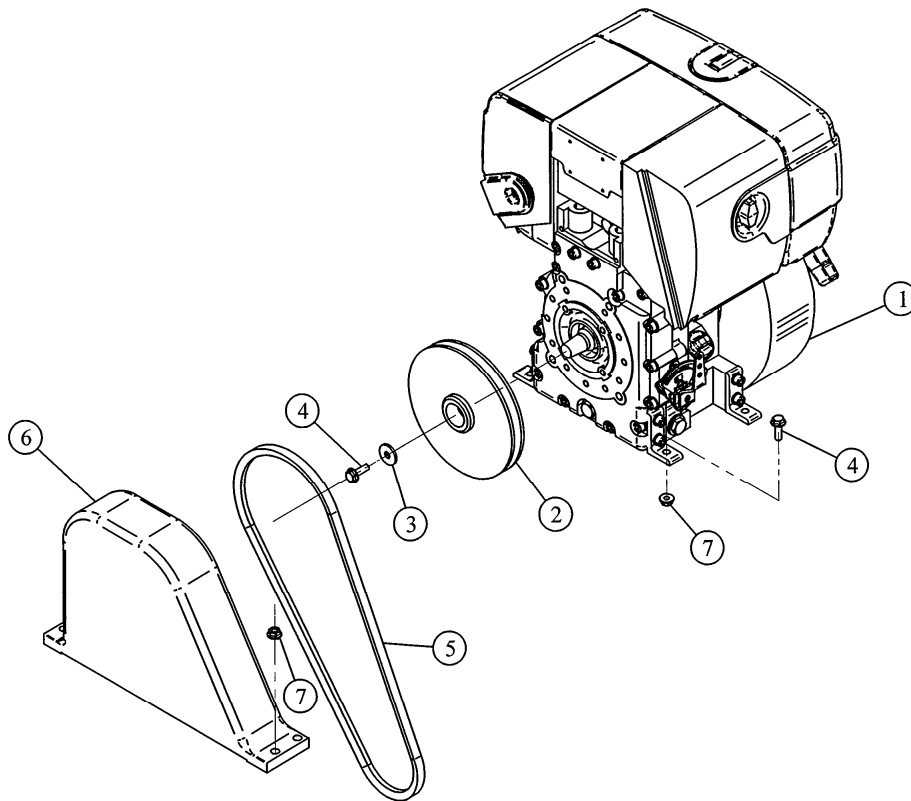
MONTAJE DE MOTOR



479.151.286 MTJE. MOTOR EQP ENGINE ASSEMB. MTJE. MOTEUR MOTORAUFBAU

NUMERO	NOTAS	CÓDIGO	Ud.	DENOMINACIÓN	DESCRIPTION	DESIGNATION	BESCHREIBUNG
1		479.151.288	1	MOTOR COMPLETO	ENGINE COMPL.	MOTEUR COMPL.	MOTOR KOMPL.
2		479.151.017	1	BANCADA	BRACKET	SUPPORT	LAGERUNG
3		479.151.275	1	BARANDILLA	HANDRAIL	GARDE-CORPS	GELANDER
4		479.093.484	4	TORNILLO	SCREW	VIS	SCHRAUBE
5		479.090.370	4	TUERCA	NUT	ECROU	MUTTER
6		479.096.187	1	TUERCA	NUT	ECROU	MUTTER
7		479.094.989	1	TORNILLO	SCREW	VIS	SCHRAUBE
8		479.094.734	1	TUERCA	NUT	ECROU	MUTTER
9		479.191.790	1	ABRAZADERA	CLAMP	COLLIER	SHELLE

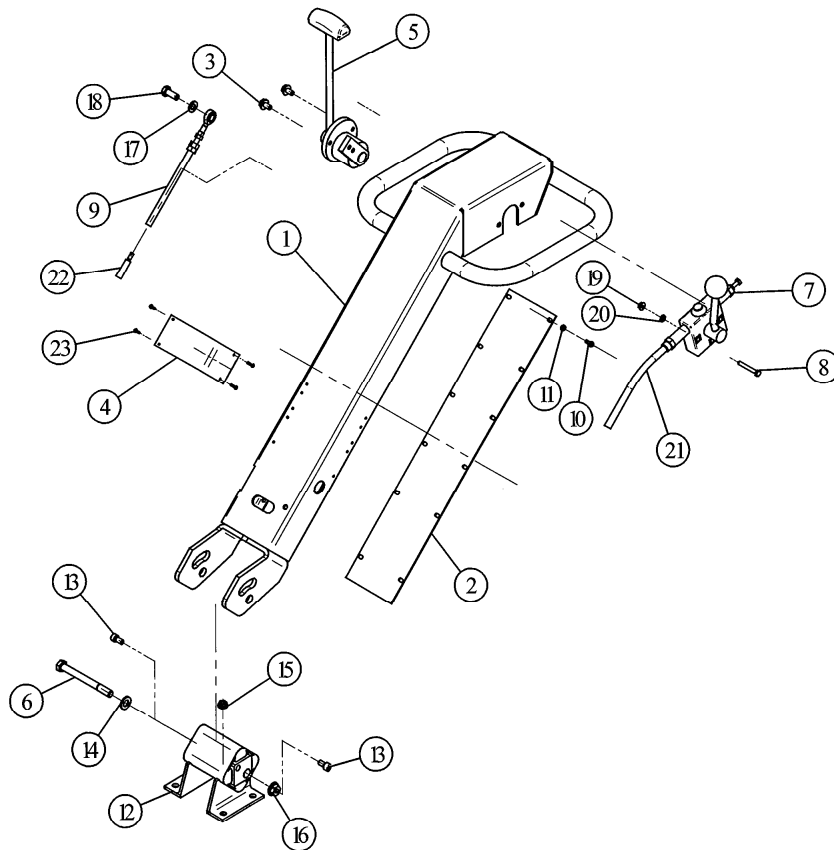
MOTOR COMPLETO



HATZ

**479.151.288 MOTOR COMPLETO
ENGINE COMPL.
MOTEUR COMPL.
MOTOR KOMPL.**

NUMERO	NOTAS	CÓDIGO	Ud.	DENOMINACIÓN	DESCRIPTION	DESIGNATION	BESCHREIBUNG
-		479.199.880	1	MANDO DE PARADA	STOP HANDLE	COMMANDE ARRET	ABSTELLVORRICHT
-		479.199.943	1	MEDIDOR ACEITE	DIPSTICK-OIL	JAUGE A HUILE	MESSSTAB-OL
-		479.199.933	1	FILTRO ACEITE	OIL FILTER	FILTRE D'HUILE	OELFILTER
-		479.199.841	1	FILTRO DE AIRE	AIR FILTER	FILTRE AIR	LUFTFILTER
-		479.092.332	1	TORNILLO	SCREW	VIS	SCHRAUBE
-		479.199.939	1	TAPA	COVER	COUVERCLE	DECKEL
-		479.199.932	1	ARRANQUE	START	DEMARRAGE	ANLASSER
-		479.141.880	1	TUBO	TUBE	TUBE	ROHR
-		479.199.944	1	CUERDA ARRANQUE	STARTERROPE	CORDAGE DEMARR.	STARTERSEIL
-		479.199.842	1	FILTRO GAS-OIL	FUEL FILTER	FILTRE A CARBU.	DIESELÖLFILTER
1		479.198.750	1	MOTOR	ENGINE	MOTEUR	MOTOR
2		479.290.326	1	EMBRAGUE	CLUTCH	EMBRAYAGE	KUPPLUNG
3		479.193.613	1	ARANDELA	WASHER	RONDELLE	SCHEIBE
4		479.093.413	5	TORNILLO	SCREW	VIS	SCHRAUBE
5		479.193.776	1	CORREA	BELT	COURROIE	RIEMEN
6		479.151.437	1	PROTECTOR	PROTECTOR	PROTECTEUR	SCHUTZ
7		479.096.187	8	TUERCA	NUT	ECROU	MUTTER



479.151.284 LANZA

**CART POLE
LANCE
STRAHLWERFER**

NUMERO	NOTAS	CÓDIGO	Ud.	DENOMINACIÓN	DESCRIPTION	DESIGNATION	BESCHREIBUNG
1		479.151.521	1	LANZA	CART POLE	LANCE	STRAHLWERFER
2		479.143.526	1	TAPA	COVER	COUVERCLE	DECKEL
3		479.197.386	2	TORNILLO	SCREW	VIS	SCHRAUBE
4		479.151.256	1	PROTECTOR	PROTECTOR	PROTECTEUR	SCHUTZ
5		479.143.567	1	MANDO	HANDLE	COMMANDE	STEUERUNG
6		479.090.725	1	TORNILLO	SCREW	VIS	SCHRAUBE
7		479.192.647	1	MANDO	HANDLE	COMMANDE	STEUERUNG
8		479.092.430	2	TORNILLO	SCREW	VIS	SCHRAUBE
9		479.198.095	1	CABLE	CABLE	CABLE	KABEL
10		479.090.731	12	TORNILLO	SCREW	VIS	SCHRAUBE
11		479.094.806	12	ARANDELA	WASHER	RONDELLE	SCHEIBE
12		479.197.557	1	AMORTIGUADOR	SHOCK ABSORBER	AMORTISSEUR	SCHWINGMETALL
13		479.090.224	2	TORNILLO	SCREW	VIS	SCHRAUBE
14		479.090.061	1	ARANDELA	WASHER	RONDELLE	SCHEIBE
15		479.096.187	4	TUERCA	NUT	ECROU	MUTTER
16		479.090.370	1	TUERCA	NUT	ECROU	MUTTER
17		479.094.903	1	ARANDELA	WASHER	RONDELLE	SCHEIBE
18		479.194.650	1	TORNILLO	SCREW	VIS	SCHRAUBE
19		479.090.305	2	TUERCA	NUT	ECROU	MUTTER
20		479.090.063	2	ARANDELA	WASHER	RONDELLE	SCHEIBE
21		479.191.838	1	SIRGA	CABLE LUG	COSSE DE CABLE	KABELSCHUH

22	479.151.056	1ADAPTADOR	ADAPTER	ADAPTATEUR	ADAPTER
23	479.290.328	4REMACHE	RIVET	RIVET	NIETE

OPCIONALES

200.000.041 OPCIONALES

OPTIONALS
OPTIONNELS
OPTION

NUMERO	NOTAS	CÓDIGO	Ud.	DENOMINACIÓN	DESCRIPTION	DESIGNATION	BESCHREIBUNG
1		479.011.353		2EJE	AXLE	AXE	ACHSE
2		479.011.351		1CHASIS	FRAME	CHASSIS	RAHMEN
3		479.090.438		2TORNILLO	SCREW	VIS	SCHRAUBE
4		479.091.873		2ARANDELA	WASHER	RONDELLE	SCHEIBE
5		479.090.101		2TUERCA	NUT	ECROU	MUTTER
6		479.096.456		2RUEDA	WHEEL	ROUE	RAD
7		479.097.282		4CASQUILLO	BUSHING	DOUILLE	BUCHSE
8		479.090.504		2ARANDELA	WASHER	RONDELLE	SCHEIBE
9		479.098.975		2ANILLO	RING	ANNEAU	RING
10a	a)	479.143.488		1PLACA SINTETICA	SYNTHETIC PLATE	PLAQUE SYNTHET.	TYPSCILD
10b	b)	479.145.518		1PLACA SINTETICA	SYNTHETIC PLATE	PLAQUE SYNTHET.	TYPSCILD
10c	c)	479.145.521		1PLACA SINTETICA	SYNTHETIC PLATE	PLAQUE SYNTHET.	TYPSCILD
20a	a)	479.143.489		2BANDA	STRIP	BANDE	STREIFEN
20b	b)	479.145.519		2BANDA	STRIP	BANDE	STREIFEN
20c	c)	479.145.522		2BANDA	STRIP	BANDE	STREIFEN
30ab	a) y b)	479.090.169		4TORNILLO	SCREW	VIS	SCHRAUBE
30c	c)	479.090.169		6TORNILLO	SCREW	VIS	SCHRAUBE
40ab	a) y b)	479.097.151		4ARANDELA	WASHER	RONDELLE	SCHEIBE
40c	c)	479.097.151		6ARANDELA	WASHER	RONDELLE	SCHEIBE
50ab	a) y b)	479.090.028		4TUERCA	NUT	ECROU	MUTTER
50c	c)	479.090.028		6TUERCA	NUT	ECROU	MUTTER
a) Placa de 390 mm			a) Plate 390 mm		a) Plaque 390 mm		a) Platte 390 mm
b) Placa de 480 mm			b) Plate 480 mm		b) Plaque 480 mm		b) Platte 480 mm
c) Placa de 580 mm			c) Plate 580 mm		c) Plaque 580 mm		c) Platte 580 mm