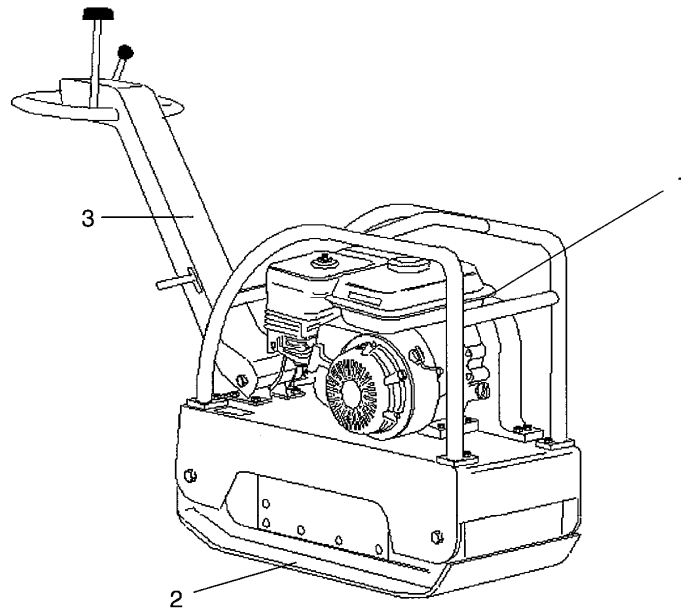


PLANCHA

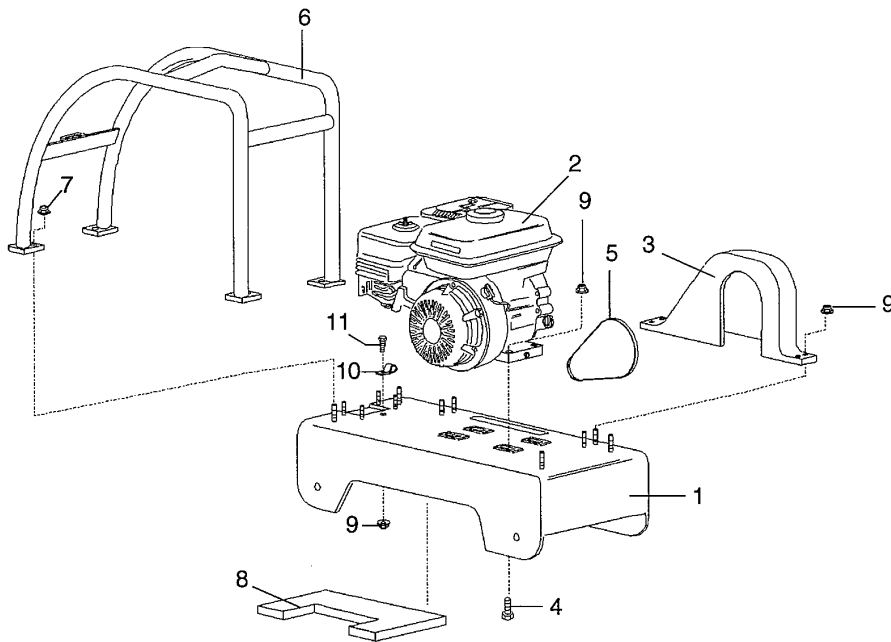


505.402.001 PLANCHA

SHEET
PLAQUE
PLATTE

NUMERO	NOTAS	CÓDIGO	Ud.	DENOMINACIÓN	DESCRIPTION	DESIGNATION	BESCHREIBUNG
1	1)	479.148.985	1	MTJE. MOTOR EQP	ENGINE ASSEMB.	MTJE. MOTEUR	MOTORAUFBAU
2		479.148.986	1	PLACA COMPLETA	PLATE COMP	PLAQUE COMPL.	BODENWANNE KPL.
3		479.148.987	1	LANZA	CART POLE	LANCE	STRAHLWERFER
1) Ver despiece			1)	See parts	1) Voir pieces detachee		1) Details sehen

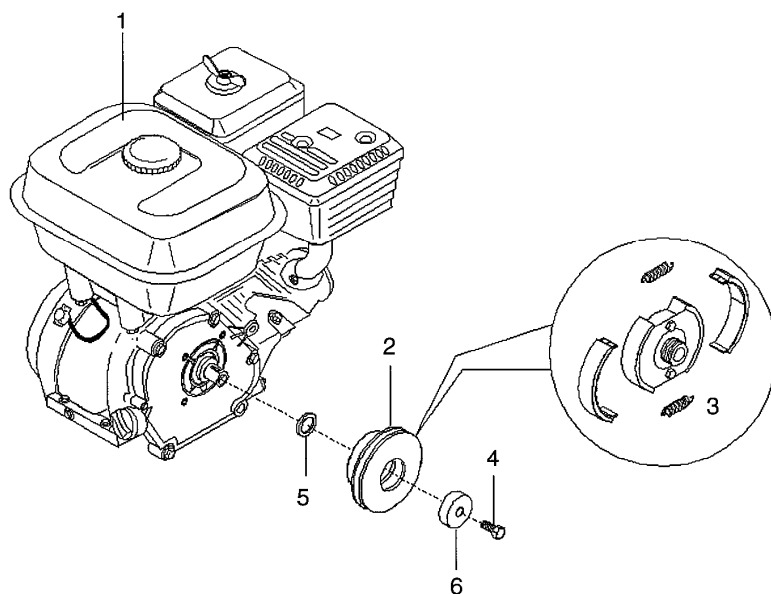
MONTAJE DE MOTOR



479.148.985 MTJE. MOTOR EQP ENGINE ASSEMB. MTJE. MOTEUR MOTORAUFBAU

NUMERO	NOTAS	CÓDIGO	Ud.	DENOMINACIÓN	DESCRIPTION	DESIGNATION	BESCHREIBUNG
1		479.148.904	1	SOPORTE	BRACKET	SUPPORT	LAGERUNG
2	1)	479.148.988	1	MOTOR COMPLETO	ENGINE COMPL.	MOTEUR COMPL.	MOTOR KOMPL.
3	1)	479.148.903	1	PROTECTOR	PROTECTOR	PROTECTEUR	SCHUTZ
4		479.194.294	4	TORNILLO	SCREW	VIS	SCHRAUBE
5		479.193.628	1	CORREA	BELT	COURROIE	RIEMEN
6		479.148.989	1	PROTECTOR	PROTECTOR	PROTECTEUR	SCHUTZ
7		479.090.370	4	TUERCA	NUT	ECROU	MUTTER
8		479.148.983	1	GOMA	RUBBER	CAOUTCHOUC	GUMMI
9		479.096.187	13	TUERCA	NUT	ECROU	MUTTER
10		479.191.790	1	ABRAZADERA	CLAMP	COLLIER	SHELLE
11		479.090.461	1	TORNILLO	SCREW	VIS	SCHRAUBE
1)	Ver despiece		1)	See parts	1)	Voir pieces detachee	1) Details sehen

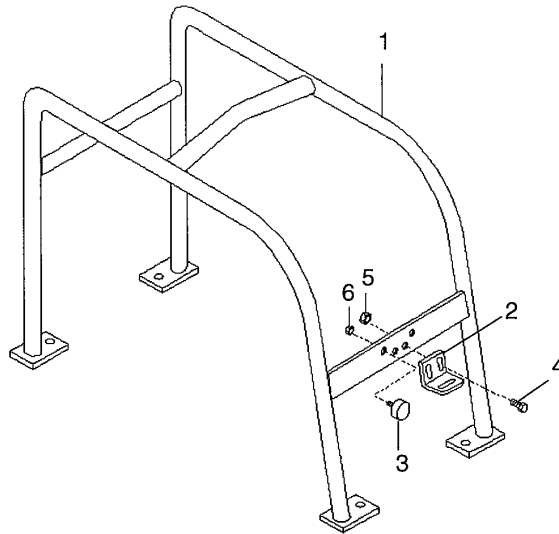
MOTOR COMPLETO



479.148.988 MOTOR COMPLETO
ENGINE COMPL.
MOTEUR COMPL.
MOTOR KOMPL.

NUMERO	NOTAS	CÓDIGO	Ud.	DENOMINACIÓN	DESCRIPTION	DESIGNATION	BESCHREIBUNG
1		479.198.702	1	MOTOR	ENGINE	MOTEUR	MOTOR
2		479.198.740	1	EMBRAGUE	CLUTCH	EMBAYAGE	KUPPLUNG
3		479.198.597	1	ZAPATAS	BRAKE BLOCKS	SABOTS	BREMSBACKE
4		479.090.233	1	TORNILLO	SCREW	VIS	SCHRAUBE
5		479.090.262	1	ARANDELA	WASHER	RONDELLE	SCHEIBE
6		479.148.957	1	ARANDELA	WASHER	RONDELLE	SCHEIBE

PROTECTOR

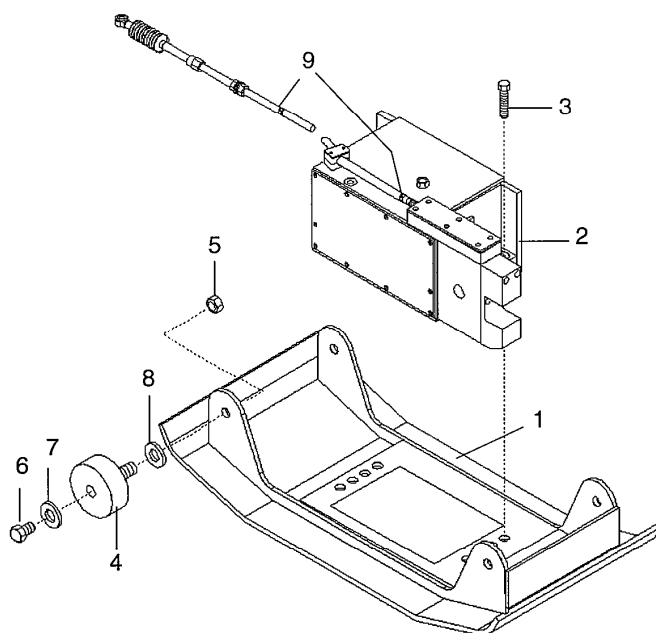


479.148.989 PROTECTOR

**PROTECTOR
PROTECTEUR
SCHUTZ**

NUMERO	NOTAS	CÓDIGO	Ud.	DENOMINACIÓN	DESCRIPTION	DESIGNATION	BESCHREIBUNG
1		479.148.902	1	PROTECTOR	PROTECTOR	PROTECTEUR	SCHUTZ
2		479.148.971	1	SOPORTE	BRACKET	SUPPORT	LAGERUNG
3		479.198.741	2	TOPE	STOP	BUTEE	ANSCHLAG
4		479.090.461	2	TORNILLO	SCREW	VIS	SCHRAUBE
5		479.096.187	2	TUERCA	NUT	ECROU	MUTTER
6		479.090.305	2	TUERCA	NUT	ECROU	MUTTER

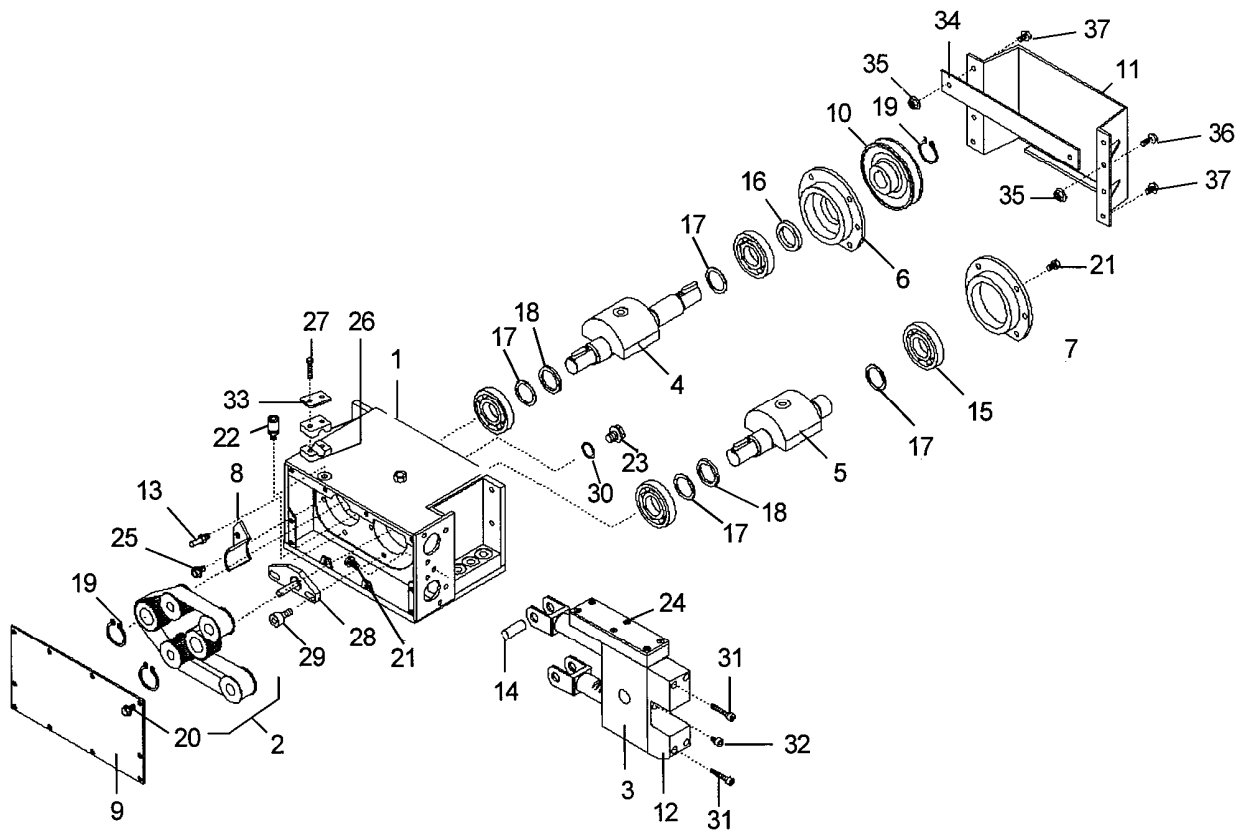
PLACA COMPLETA



479.148.986 PLACA COMPLETA
PLATE COMP
PLAQUE COMPL.
BODENWANNE KPL.

NUMERO	NOTAS	CÓDIGO	Ud.	DENOMINACIÓN	DESCRIPTION	DESIGNATION	BESCHREIBUNG
1		479.143.430		1 PLACA BASE	BASE PLATE	PLAQUE DE BASE	BODENPLATTE
2	1)	479.143.490		1 CAJA VIBRACION	VIBRATION BOX	BOITE VIBRATION	VIBRAT.GEHAUSE
3		479.198.144		8 TORNILLO	SCREW	VIS	SCHRAUBE
4		479.198.738		4 AMORTIGUADOR	SHOCK ABSORBER	AMORTISSEUR	SCHWINGMETALL
5		479.090.370		4 TUERCA	NUT	ECROU	MUTTER
6		479.090.282		4 TORNILLO	SCREW	VIS	SCHRAUBE
7		479.090.061		4 ARANDELA	WASHER	RONDELLE	SCHEIBE
8		479.148.959		4 ARANDELA	WASHER	RONDELLE	SCHEIBE
9	1) Ver despiece	479.198.095	1) See parts	1 CABLE	CABLE	CABLE	KABEL
					1) Voir pieces detachee		1) Details sehen

CAJA DE VIBRACION

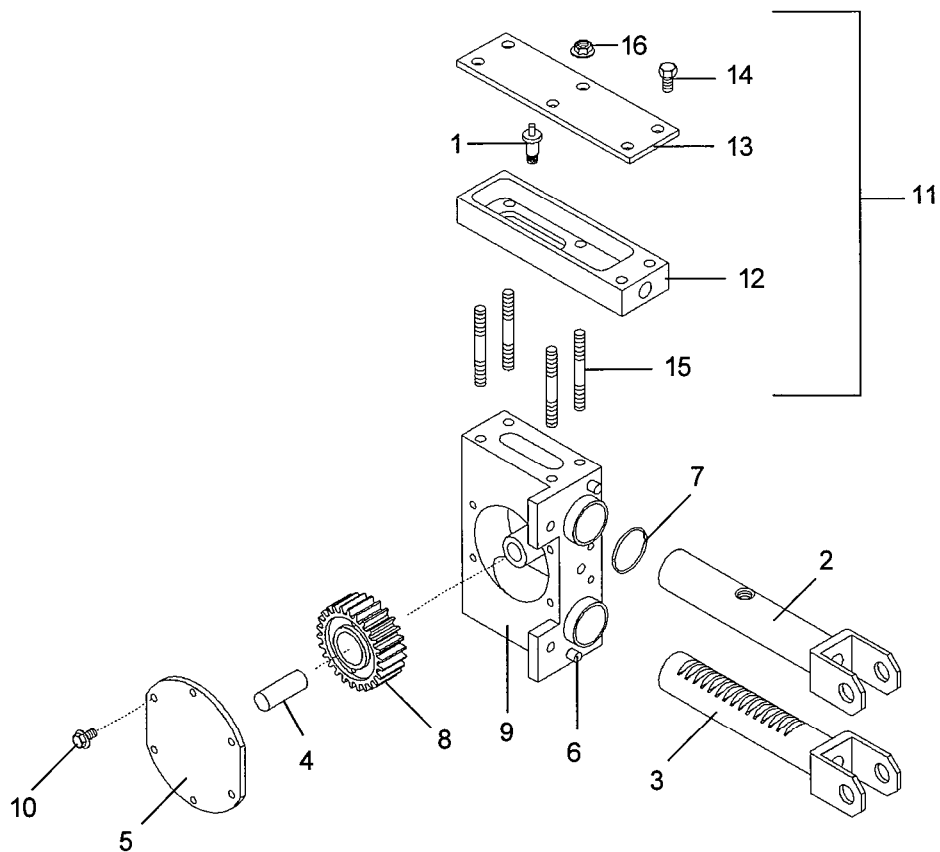


479.143.490CAJA VIBRACION
VIBRATION BOX
BOITE VIBRATION
VIBRAT.GEHAUSE

NUMERO	NOTAS	CÓDIGO	Ud.	DENOMINACIÓN	DESCRIPTION	DESIGNATION	BESCHREIBUNG
1		479.143.491	1	CARCASA	HOUSING	CARTER	GEHAUSE
2		479.141.767	1	CONJ.ACCIONAM.	DRIVING SYSTEM	ENS.ACTIONNEM.	BETRIEB
2a		479.197.551	1	CORREA	BELT	COURROIE	RIEMEN
3	1)	479.145.505	1	BLOQUE	BLOCK	BLOC	BLOCK
4	1)	479.145.503	1	EJE	AXLE	AXE	ACHSE
5	1)	479.145.514	1	EJE	AXLE	AXE	ACHSE
6		479.145.507	1	TAPA	COVER	COUVERCLE	DECKEL
7		479.145.508	1	TAPA	COVER	COUVERCLE	DECKEL
8		479.143.462	2	PLACA	PLATE	PLAQUE	PLATTE
9		479.145.509	1	TAPA	COVER	COUVERCLE	DECKEL
10		479.143.464	1	POLEA	PULLEY	POULIE	RIEMENSCHLEIBE
11		479.145.506	1	PROTECTOR	PROTECTOR	PROTECTEUR	SCHUTZ
12		479.143.466	1	TAPA	COVER	COUVERCLE	DECKEL
13		479.141.781	1	BULON	BOLT	BOULON	BOLZEN
14		479.141.782	2	BULON	BOLT	BOULON	BOLZEN
15		479.197.390	4	RODAMIENTO	BEARING	ROULEMENT	LAGER
16		479.197.382	1	RETEN	OIL SEAL	BAGUE ETANCH.	DICHRING
17		479.197.383	4	ARANDELA	WASHER	RONDELLE	SCHEIBE
18		479.198.098	2	ARANDELA	WASHER	RONDELLE	SCHEIBE
19		479.090.543	3	ANILLO ELASTICO	CIRCLIP	CIRCLIP	SICHERUNGSRING
20		479.197.386	10	TORNILLO	SCREW	VIS	SCHRAUBE
21		479.197.370	8	TORNILLO	SCREW	VIS	SCHRAUBE
22		479.191.695	1	VALV.AIREACION	BREATHER	SOUPAPE AERAT.	LUFTVENTIL

23		479.094.559	1 TAPON	PLUG	BOUCHON	VERSCHLUSS
24	2)	479.143.479	1 TAPA COMPLETA	COVER COMPLETE	COUVERCLE COMPL	DEKEL KOMPL.
25		479.090.224	4 TORNILLO	SCREW	VIS	SCHRAUBE
26		479.096.485	2 SEMI-ABRAZAD.	HALF CLAMP	SEMI-COLLIER	HALBSCHELLE
27		479.096.578	2 TORNILLO	SCREW	VIS	SCHRAUBE
28		479.143.480	1 PLACA	PLATE	PLAQUE	PLATTE
29		479.198.145	2 TORNILLO	SCREW	VIS	SCHRAUBE
30		479.091.993	1 ARANDELA	WASHER	RONDELLE	SCHEIBE
31		479.095.600	4 TORNILLO	SCREW	VIS	SCHRAUBE
32		479.198.052	2 TORNILLO	SCREW	VIS	SCHRAUBE
33		479.190.118	1 PLACA	PLATE	PLAQUE	PLATTE
34		479.148.953	1 PLETINA	PLATE	TOLE	FLACHEISEN
35		479.090.028	6 TUERCA	NUT	ECROU	MUTTER
36		479.195.476	4 TORNILLO	SCREW	VIS	SCHRAUBE
37		479.198.754	4 TORNILLO	SCREW	VIS	SCHRAUBE
1)	Ver despiece		1) See parts	1) Voir pieces detachee		1) Details sehen
2)	Ver despiece		2) See parts	2) Voir pieces detachee		2) Details sehen
	479.145.505		479.145.505	479.145.505		479.145.505

BLOQUE



479.145.505 BLOQUE

**BLOCK
BLOC
BLOCK**

NUMERO	NOTAS	CÓDIGO	Ud.	DENOMINACIÓN	DESCRIPTION	DESIGNATION	BESCHREIBUNG
1		479.143.478	1	BULON	BOLT	BOULON	BOLZEN
2		479.145.510	1	CREMALLERA	RACK	CREMAILLERE	SHNEIKENZAHNST.
3		479.145.511	1	CREMALLERA	RACK	CREMAILLERE	SHNEIKENZAHNST.
4		479.145.513	1	EJE	AXLE	AXE	ACHSE
5		479.143.472	1	TAPA	COVER	COUVERCLE	DECKEL
6		479.093.307	2	PITON	BOLT	BOULON	BOLZEN
7		479.198.171	2	JUNTA TORICA	O-RING	JOINT TORIQUE	RUNDDICHTRING
8		479.141.881	1	RUEDA DENTADA	GEAR	ENGRENAGE	ZAHNRAD
9		479.141.882	1	CARCASA	HOUSING	CARTER	GEHAUSE
10		479.197.387	4	TORNILLO	SCREW	VIS	SCHRAUBE
11		479.143.479	1	TAPA COMPLETA	COVER COMPLETE	COUVERCLE COMPL	DEKEL KOMPL.
12	1)	479.143.476	1	TAPA CABLE	CABLE COVER	COUVERCLE CABLE	SCHUTZABDECKUNG
13	1)	479.143.477	1	TAPA	COVER	COUVERCLE	DECKEL
14	1)	479.197.370	2	TORNILLO	SCREW	VIS	SCHRAUBE
15	1)	479.198.170	4	ESPARRAGO	STUD	TOURILLON	STEBBOLZEN
16	1)	479.096.187	4	TUERCA	NUT	ECROU	MUTTER

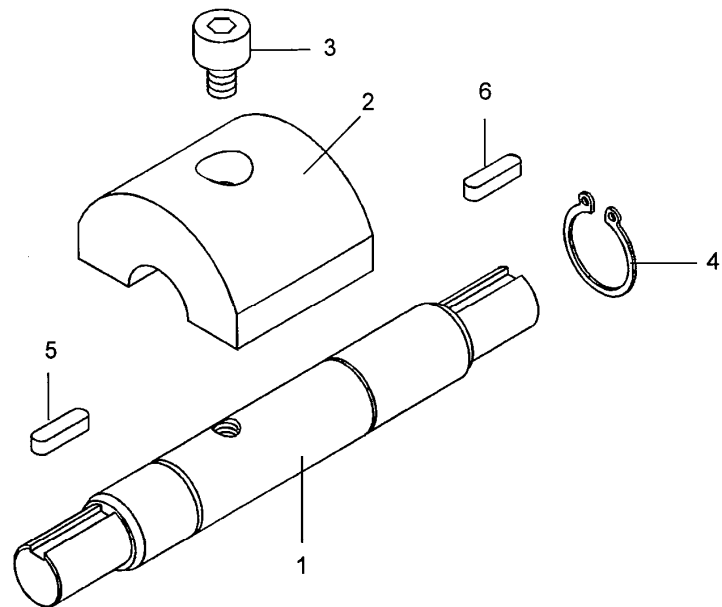
1) Incluidas en nº 11

1) Included n° 11

1) Comprend n° 11

1)Innehaller n° 11

EJE

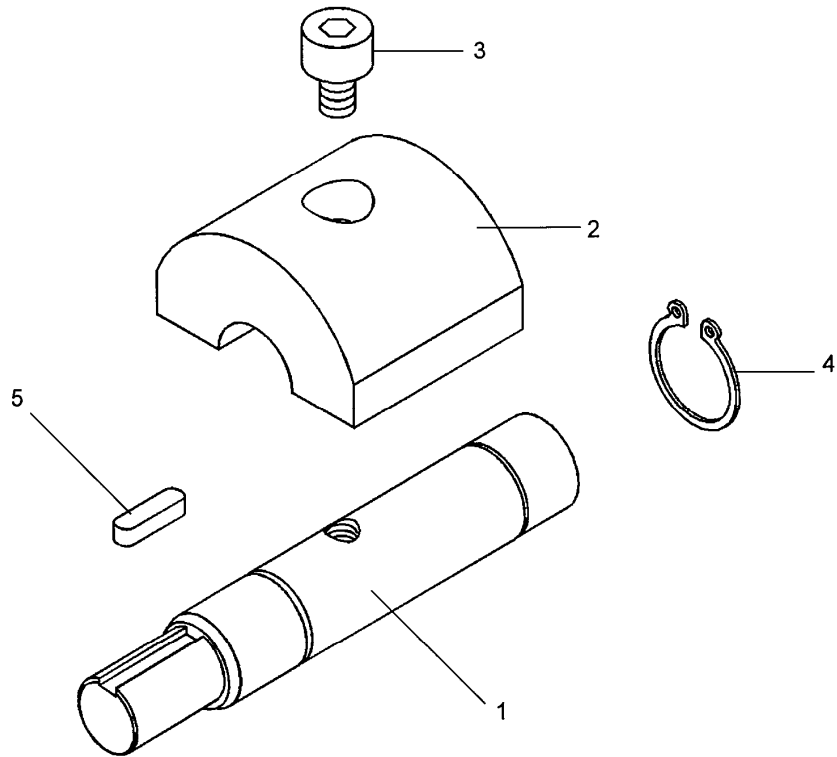


479.145.503 EJE

**AXLE
AXE
ACHSE**

NUMERO	NOTAS	CÓDIGO	Ud. DENOMINACIÓN	DESCRIPTION	DESIGNATION	BESCHREIBUNG
1		479.145.504	1EJE	AXLE	AXE	ACHSE
2		479.143.474	1MASA EXCENTRICA	ECCENTRIC MASS	MASSE EXCENTR.	EXZENTERMASSE
3		479.197.385	1TORNILLO	SCREW	VIS	SCHRAUBE
4		479.090.555	1ANILLO ELASTICO	CIRCLIP	CIRCLIP	SICHERUNGSRING
5		479.091.226	1CHAVETA	FITTING KEY	CLAVETTE	PASSFEDER
6		479.198.148	1CHAVETA	FITTING KEY	CLAVETTE	PASSFEDER

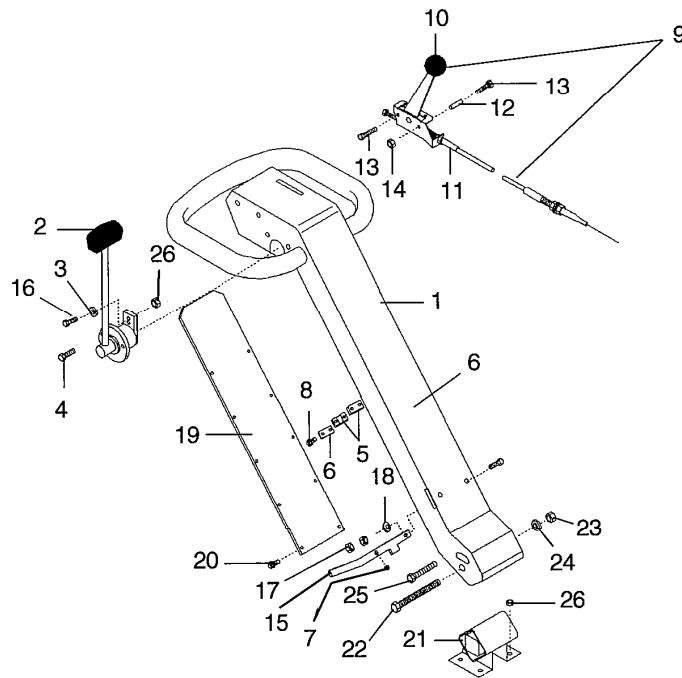
EJE



479.145.514 EJE

AXLE
AXE
ACHSE

NUMERO	NOTAS	CÓDIGO	Ud.	DENOMINACIÓN	DESCRIPTION	DESIGNATION	BESCHREIBUNG
1		479.143.459	1	EJE	AXLE	AXE	ACHSE
2		479.143.473	1	MASA EXCENTRICA	ECCENTRIC MASS	MASSE EXCENTR.	EXZENTERMASSE
3		479.197.385	1	TORNILLO	SCREW	VIS	SCHRAUBE
4		479.090.555	1	ANILLO ELASTICO	CIRCLIP	CIRCLIP	SICHERUNGSRING
5		479.091.226	1	CHAVETA	FITTING KEY	CLAVETTE	PASSFEDER



479.148.987 LANZA

**CART POLE
LANCE
STRAHLWERFER**

NUMERO	NOTAS	CÓDIGO	Ud.	DENOMINACIÓN	DESCRIPTION	DESIGNATION	BESCHREIBUNG
-		479.094.819	1	ABRAZADERA	CLAMP	COLLIER	SCHELLE
-		479.097.539	1	RACOR	FITTING	RACCORD	VERSCHRAUBUNGEN
1		479.143.435	1	LANZA	CART POLE	LANCE	STRAHLWERFER
2		479.197.403	1	MANDO	HANDLE	COMMANDE	STEUERUNG
3		479.198.059	1	ARANDELA	WASHER	RONDELLE	SCHEIBE
4		479.197.386	2	TORNILLO	SCREW	VIS	SCHRAUBE
5		479.096.485	2	SEMI-ABRAZAD.	HALF CLAMP	SEMI-COLLIER	HALBSCELLE
6		479.190.118	1	PLACA	PLATE	PLAQUE	PLATTE
7		479.198.137	1	TAPON	PLUG	BOUCHON	VERSCHLUSS
8		479.096.578	2	TORNILLO	SCREW	VIS	SCHRAUBE
9		479.198.739	1	MANDO	HANDLE	COMMANDE	STEUERUNG
10		479.198.443	1	MANDO	HANDLE	COMMANDE	STEUERUNG
11		479.198.753	1	CABLE	CABLE	CABLE	KABEL
12		479.143.437	2	DISTANCIADOR	SPACER RING	ENTRETOISE	ZWISCHENRING
13		479.096.553	2	TORNILLO	SCREW	VIS	SCHRAUBE
14		479.090.305	2	TUERCA	NUT	ECROU	MUTTER
15		479.143.438	1	PALANCA	LEVER	LEVIER	HEBEL
16		479.090.233	2	TORNILLO	SCREW	VIS	SCHRAUBE
17		479.094.734	2	TUERCA	NUT	ECROU	MUTTER
18		479.198.069	1	ARANDELA	WASHER	RONDELLE	SCHEIBE
19		479.143.436	1	TAPA	COVER	COUVERCLE	DECKEL
20		479.198.138	12	TORNILLO	SCREW	VIS	SCHRAUBE
21		479.137.854	1	TOPE	STOP	BUTEE	ANSCHLAG
22		479.090.725	1	TORNILLO	SCREW	VIS	SCHRAUBE

23	479.198.136	1 TUERCA	NUT	ECROU	MUTTER
24	479.090.061	1 ARANDELA	WASHER	RONDELLE	SCHEIBE
25	479.090.224	2 TORNILLO	SCREW	VIS	SCHRAUBE
26	479.096.187	5 TUERCA	NUT	ECROU	MUTTER

OPCIONALES

200.000.040 OPCIONALES
OPTIONALS
OPTIONNELS
OPTION

NUMERO	NOTAS	CÓDIGO	Ud.	DENOMINACIÓN	DESCRIPTION	DESIGNATION	BESCHREIBUNG
-		479.090.169	8	TORNILLO	SCREW	VIS	SCHRAUBE
-		479.090.028	8	TUERCA	NUT	ECROU	MÜTTER
-	580 mm	479.145.522	2	BANDA	STRIP	BANDE	STREIFEN
-	480 mm	479.145.519	2	BANDA	STRIP	BANDE	STREIFEN
-	390 mm	479.143.489	2	BANDA	STRIP	BANDE	STREIFEN
-		479.011.354	1	RUEDAS	WHEEL	ROUES	RAD
-	580 mm Com	479.145.520	1	PLACA SINTETICA	SYNTHETIC PLATE	PLAQUE SYNTHET.	TYPSCCHILD
-	480 mm	479.145.518	1	PLACA SINTETICA	SYNTHETIC PLATE	PLAQUE SYNTHET.	TYPSCCHILD
-	480 mm Com	479.145.517	1	PLACA SINTETICA	SYNTHETIC PLATE	PLAQUE SYNTHET.	TYPSCCHILD
-	390 mm	479.143.488	1	PLACA SINTETICA	SYNTHETIC PLATE	PLAQUE SYNTHET.	TYPSCCHILD
-	390 mm Com	479.143.412	1	PLACA SINTETICA	SYNTHETIC PLATE	PLAQUE SYNTHET.	TYPSCCHILD
-	580 mm	479.145.521	1	PLACA SINTETICA	SYNTHETIC PLATE	PLAQUE SYNTHET.	TYPSCCHILD