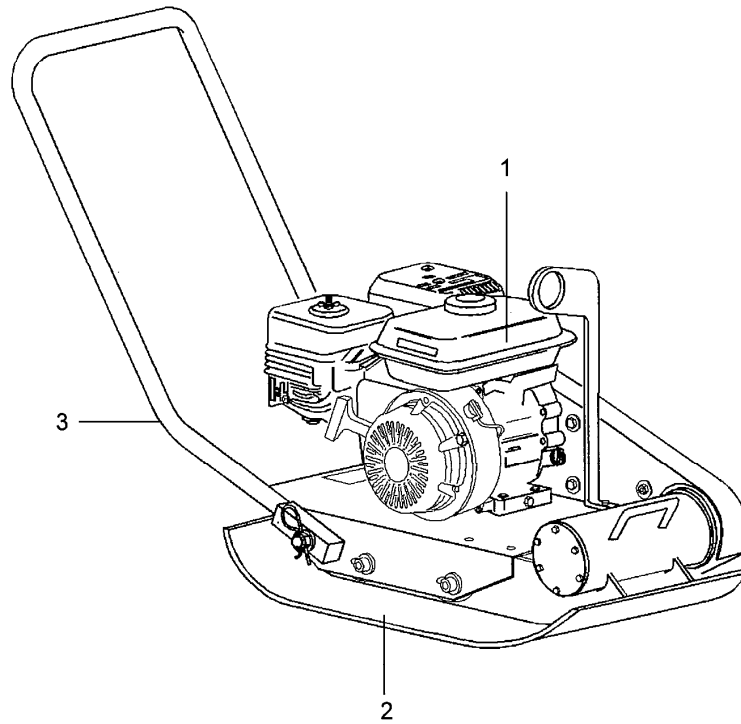


PLANCHA

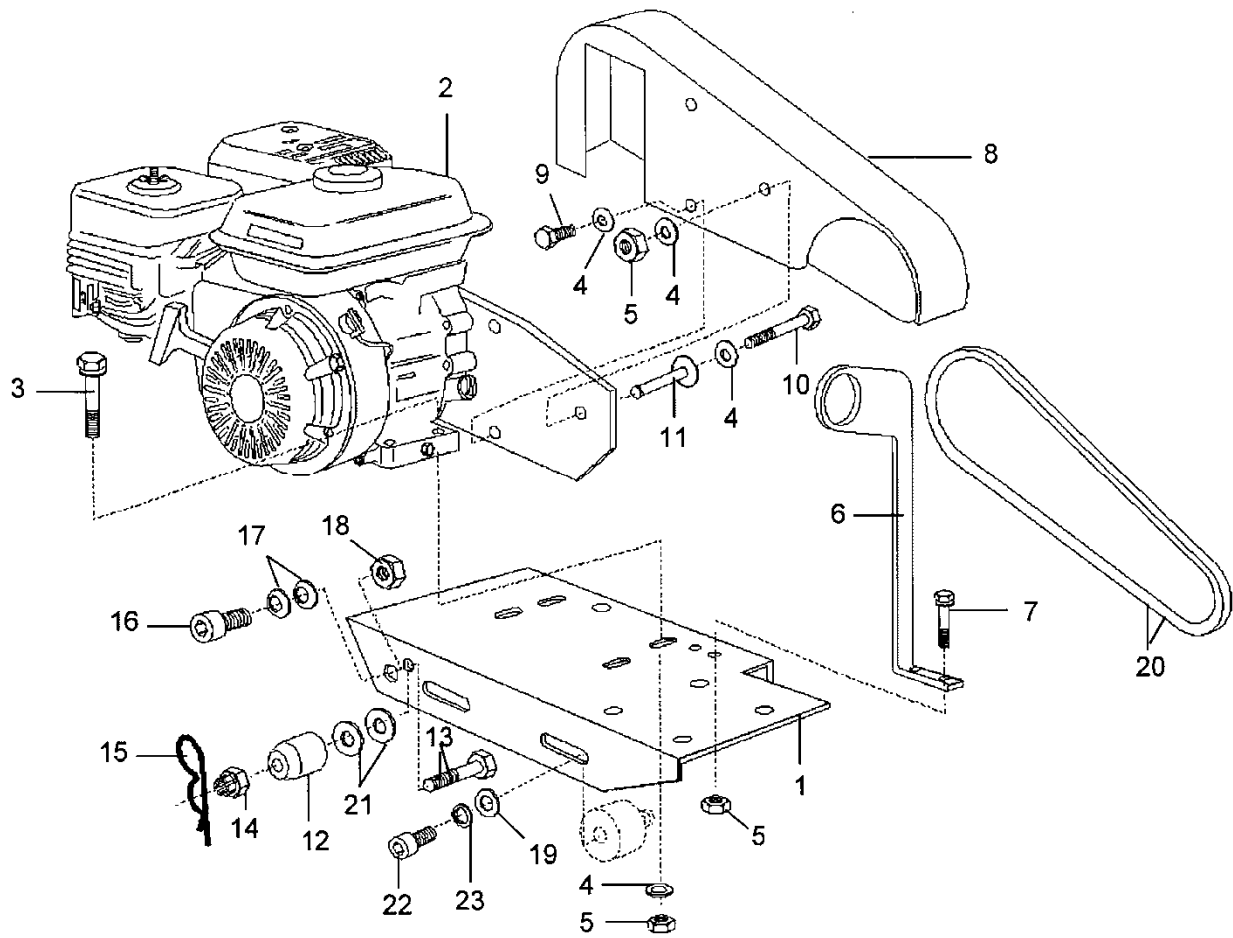


479.148.499 PLANCHA

SHEET
PLAQUE
PLATTE

NUMERO	NOTAS	CÓDIGO	Ud.	DENOMINACIÓN	DESCRIPTION	DESIGNATION	BESCHREIBUNG
1	1)	479.148.917		1MTJE. MOTOR EQP	ENGINE ASSEMB.	MTJE. MOTEUR	MOTORAUFBAU
2	1)	479.148.928		1PLACA COMPLETA	PLATE COMP	PLAQUE COMPL.	BODENWANNE KPL.
3		479.128.106		1LANZA	CART POLE	LANCE	STRAHLWERFER
1) Ver despiece			1)	See parts	Voir pieces detachee		1) Details sehen

MONTAJE DE MOTOR



**479.148.917 MTJE. MOTOR EQP
ENGINE ASSEMB.
MTJE. MOTEUR
MOTORAUFBAU**

NUMERO	NOTAS	CÓDIGO	Ud.	DENOMINACIÓN	DESCRIPTION	DESIGNATION	BESCHREIBUNG
1		479.128.104		1 PLACA BASE	BASE PLATE	PLAQUE DE BASE	BODENPLATTE
2	1)	479.148.919		1 MOTOR COMPLETO	ENGINE COMPL.	MOTEUR COMPL.	MOTOR KOMPL.
3		479.198.725		4 TORNILLO	SCREW	VIS	SCHRAUBE
4		479.193.613		8 ARANDELA	WASHER	RONDELLE	SCHEIBE
5		479.096.187		7 TUERCA	NUT	ECROU	MUTTER
6		479.148.494		1 TIRADOR	HANDLE	TIREUR	GRIFF
7		479.093.413		2 TORNILLO	SCREW	VIS	SCHRAUBE
8		479.024.459		1 PROTECTOR	PROTECTOR	PROTECTEUR	SCHUTZ
9		479.090.121		2 TORNILLO	SCREW	VIS	SCHRAUBE
10		479.097.759		1 TORNILLO	SCREW	VIS	SCHRAUBE
11		479.133.313		1 MANGUITO	SLEEVE	DOUILLE	HULSE
12		479.128.177		2 TOPE	STOP	BUTEE	ANSCHLAG
13		479.194.289		2 TORNILLO	SCREW	VIS	SCHRAUBE
14		479.194.290		2 TUERCA	NUT	ECROU	MUTTER
15		479.194.288		2 PASADOR	PIN	CHEVILLE	STIFT
16		479.099.364		2 TORNILLO	SCREW	VIS	SCHRAUBE
17		479.192.105		4 ARANDELA	WASHER	RONDELLE	SCHEIBE
18		479.091.403		2 TUERCA	NUT	ECROU	MUTTER
19		479.191.207		4 ARANDELA	WASHER	RONDELLE	SCHEIBE
20		479.096.679		1 CORREA	BELT	COURROIE	RIEMEN
21		479.090.061		4 ARANDELA	WASHER	RONDELLE	SCHEIBE

22	479.090.919	4TORNILLO	SCREW	VIS	SCHRAUBE
23	479.094.903	4ARANDELA	WASHER	RONDELLE	SCHEIBE
24	479.092.660	1ARANDELA	WASHER	RONDELLE	SCHEIBE

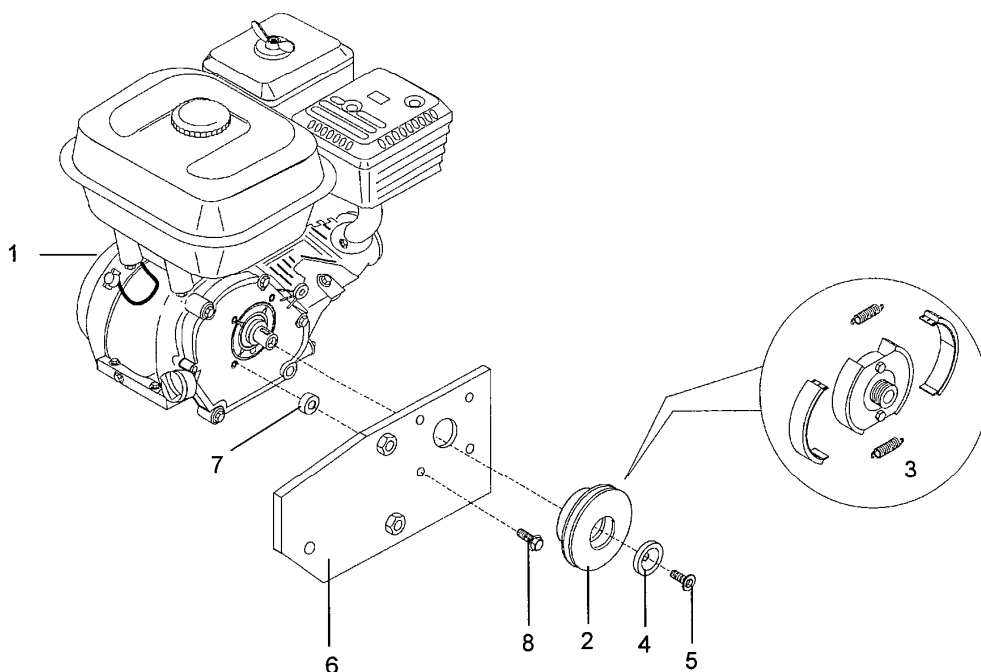
1) Ver despiece

1) See parts

1) Voir pieces detachee

1) Details sehen

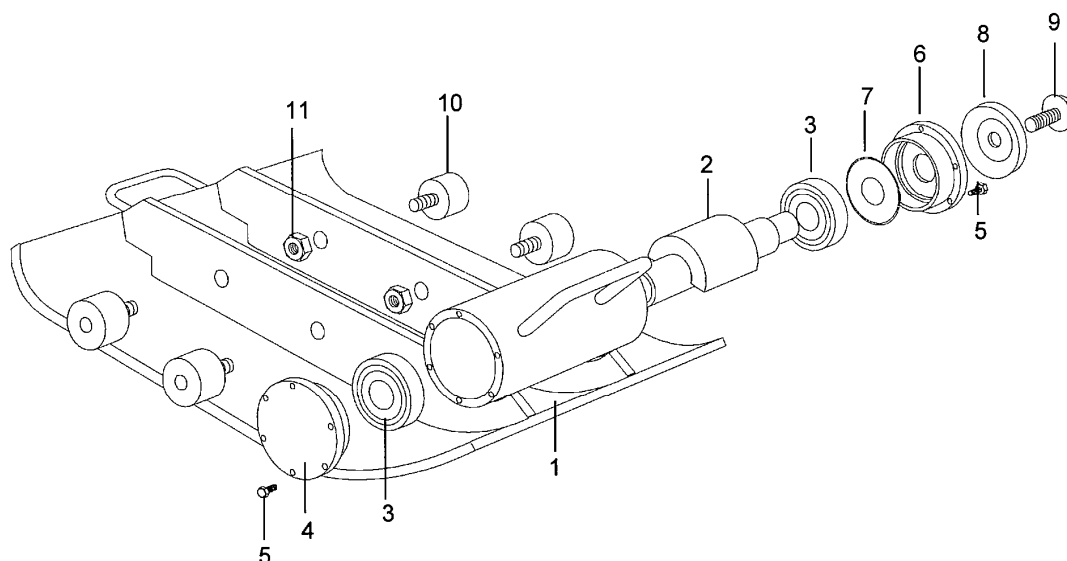
MOTOR COMPLETO



479.148.919 MOTOR COMPLETO
ENGINE COMPL.
MOTEUR COMPL.
MOTOR KOMPL.

NUMERO	NOTAS	CÓDIGO	Ud.	DENOMINACIÓN	DESCRIPTION	DESIGNATION	BESCHREIBUNG
1		479.198.702	1	MOTOR	ENGINE	MOTEUR	MOTOR
2		479.198.710	1	EMBRAGUE	CLUTCH	EMBAYAGE	KUPPLUNG
3		479.198.597	1	ZAPATAS	BRAKE BLOCKS	SABOTS	BREMSBACKE
4		479.148.957	1	ARANDELA	WASHER	RONDELLE	SCHEIBE
5		479.090.461	1	TORNILLO	SCREW	VIS	SCHRAUBE
6		479.128.105	1	PLACA	PLATE	PLAQUE	PLATTE
7		479.149.705	4	CASQUILLO	BUSHING	DOUILLE	BUCHSE
8		479.197.370	4	TORNILLO	SCREW	VIS	SCHRAUBE
9		479.090.262	1	ARANDELA	WASHER	RONDELLE	SCHEIBE

PLACA COMPLETA



479.148.928 PLACA COMPLETA
PLATE COMP
PLAQUE COMPL.
BODENWANNE KPL.

NUMERO	NOTAS	CÓDIGO	Ud.	DENOMINACIÓN	DESCRIPTION	DESIGNATION	BESCHREIBUNG
1		479.148.497	1	PLACA	PLATE	PLAQUE	PLATTE
2		479.148.956	1	EJE	AXLE	AXE	ACHSE
3		479.094.553	2	RODAMIENTO	BEARING	ROULEMENT	LAGER
4		479.126.699	1	TAPA	COVER	COUVERCLE	DECKEL
5		479.091.054	12	TORNILLO	SCREW	VIS	SCHRAUBE
6		479.128.100	1	TAPA	COVER	COUVERCLE	DECKEL
7		479.191.890	1	JUNTA	GASKET	JOINT	DICHTUNG
8		479.133.306	1	POLEA	PULLEY	POULIE	RIEMENSCHIEBE
9		479.192.629	1	TORNILLO	SCREW	VIS	SCHRAUBE
10		479.099.675	4	AMORTIGUADOR	SHOCK ABSORBER	AMORTISSEUR	SCHWINGMETALL
11		479.094.905	4	TUERCA	NUT	ECROU	MUTTER

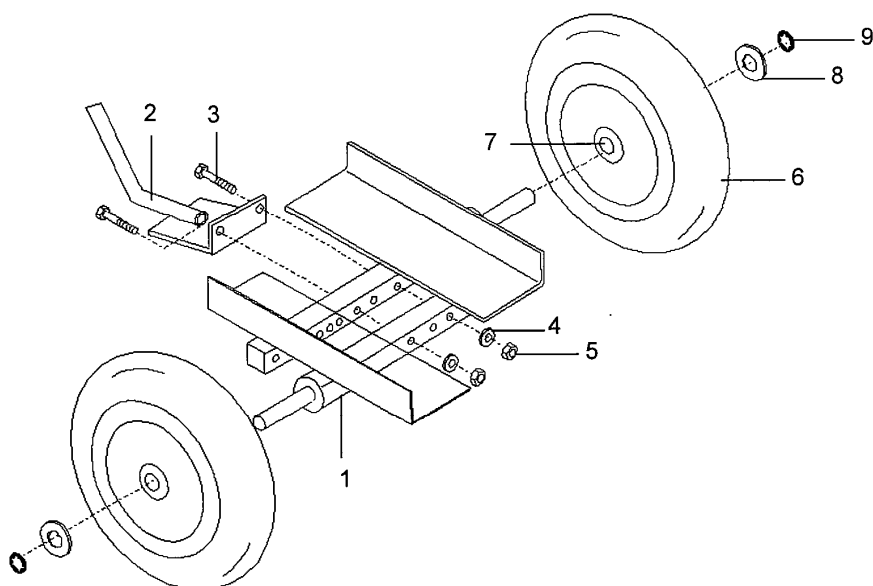
OPCIONALES

200.000.035 OPCIONALES

OPTIONALS
OPTIONNELS
OPTION

NUMERO	NOTAS	CÓDIGO	Ud.	DENOMINACIÓN	DESCRIPTION	DESIGNATION	BESCHREIBUNG
-		479.148.955	1	INSTALAC. RIEGO	SPRINKLER SYST.	INST. D'ARROSA.	BEWASSERUNG
-		479.011.354	1	RUEDAS	WHEEL	ROUES	RAD
-		479.148.931	1	PLACA SINTETICA	SYNTHETIC PLATE	PLAQUE SYNTHET.	TYPSCCHILD

RUEDAS

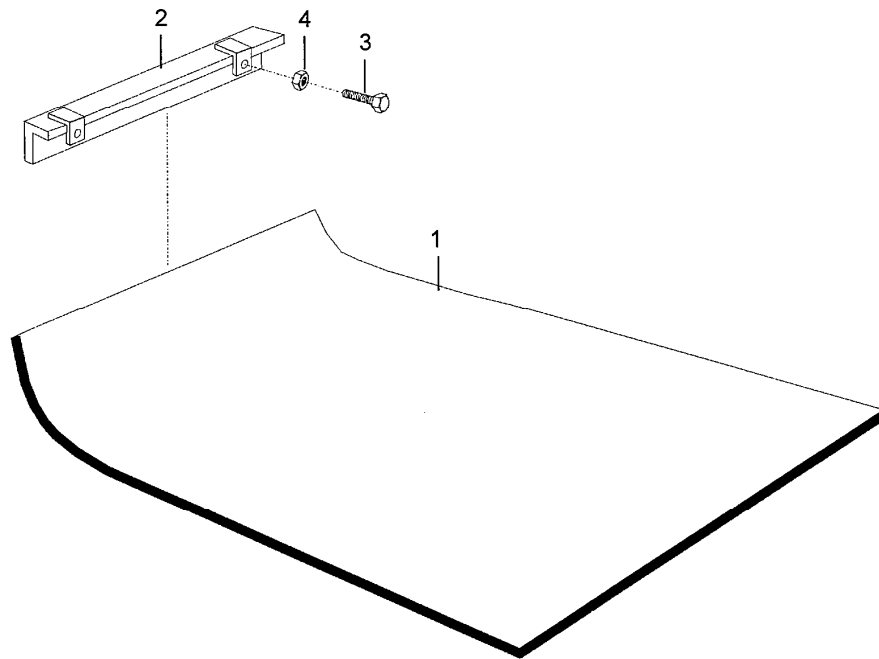


479.011.354 RUEDAS

WHEEL
ROUES
RAD

NUMERO	NOTAS	CÓDIGO	Ud.	DENOMINACIÓN	DESCRIPTION	DESIGNATION	BESCHREIBUNG
1		479.011.353	2	EJE	AXLE	AXE	ACHSE
2		479.011.351	1	CHASIS	FRAME	CHASSIS	RAHMEN
3		479.090.438	2	TORNILLO	SCREW	VIS	SCHRAUBE
4		479.091.873	2	ARANDELA	WASHER	RONDELLE	SCHEIBE
5		479.090.101	2	TUERCA	NUT	ECROU	MUTTER
6		479.096.456	2	RUEDA	WHEEL	ROUE	RAD
7		479.096.494	1	JUEGO COJINETES	SET BEARING	JEU COUSSINETS	S. GLEITLAGERB.
8		479.090.504	2	ARANDELA	WASHER	RONDELLE	SCHEIBE
9		479.098.975	2	ANILLO	RING	ANNEAU	RING

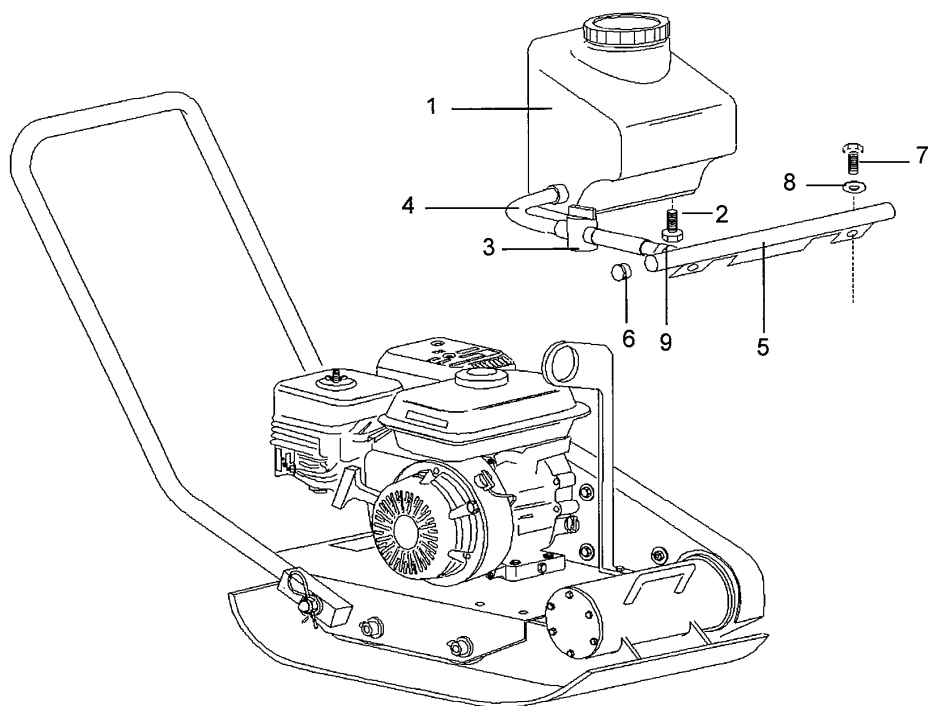
PLACA SINTETICA



479.148.931 PLACA SINTETICA
SYNTHETIC PLATE
PLAQUE SYNTHET.
TYPSCCHILD

NUMERO	NOTAS	CÓDIGO	Ud.	DENOMINACIÓN	DESCRIPTION	DESIGNATION	BESCHREIBUNG
1		479.148.929	1	PLACA SINTETICA	SYNTHETIC PLATE	PLAQUE SYNTHET.	TYPSCCHILD
2		479.128.057	1	REGLETA	REGLET	REGLETTE	REGLETTE
3		479.090.461	2	TORNILLO	SCREW	VIS	SCHRAUBE
4		479.094.734	2	TUERCA	NUT	ECROU	MUTTER

INSTALACION DE RIEGO



479.148.955 INSTALAC. RIEGO SPRINKLER SYST. INST. D'ARROSA. BEWASSERUNG

NUMERO	NOTAS	CÓDIGO	Ud.	DENOMINACIÓN	DESCRIPTION	DESIGNATION	BESCHREIBUNG
1		479.132.008	1	DEPOSITO AGUA	WATER TANK	RESERVOIR EAU	WASSERTANK
2		479.093.412	4	TORNILLO	SCREW	VIS	SCHRAUBE
3		479.194.626	1	GRIFO	TAP	ROBINET	HAHN
4		479.132.176	1	TUBO	TUBE	TUBE	ROHR
5		479.132.005	1	RAMPA RIEGO	IRRIGATION LINE	GUIDAGE IRRIG.	BEWAESS.LEITUNG
6		479.195.209	2	TAPON	PLUG	BOUCHON	VERSCHLUSS
7		479.090.570	2	TORNILLO	SCREW	VIS	SCHRAUBE
8		479.195.208	2	ARANDELA	WASHER	RONDELLE	SCHEIBE
9		479.194.859	1	ABRAZADERA	CLAMP	COLLIER	SHELLE