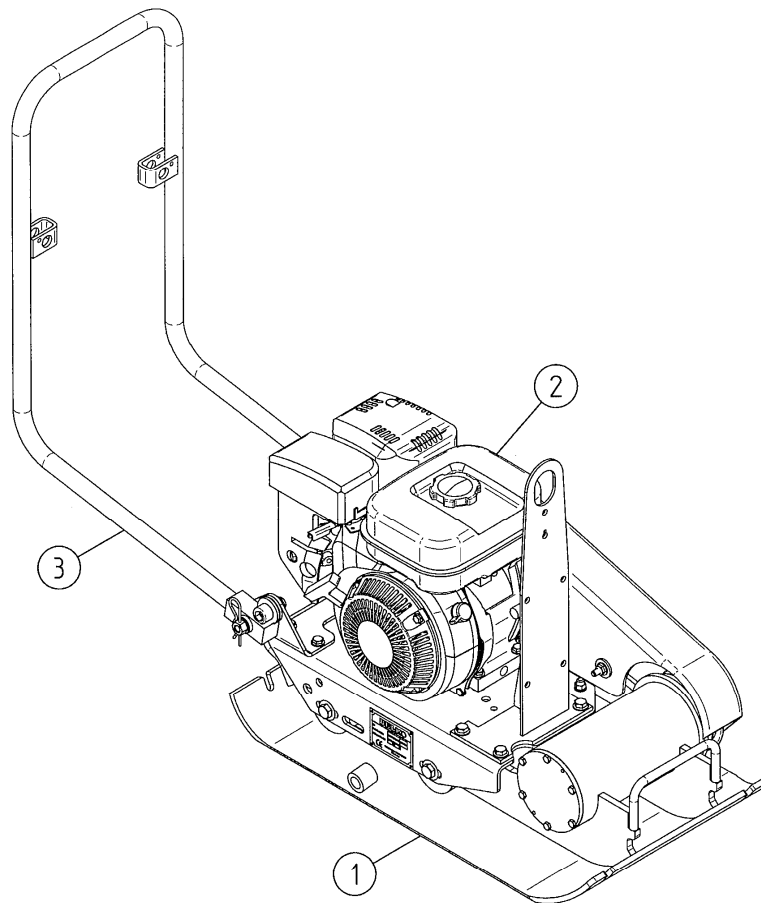


PLANCHA

505.301.002



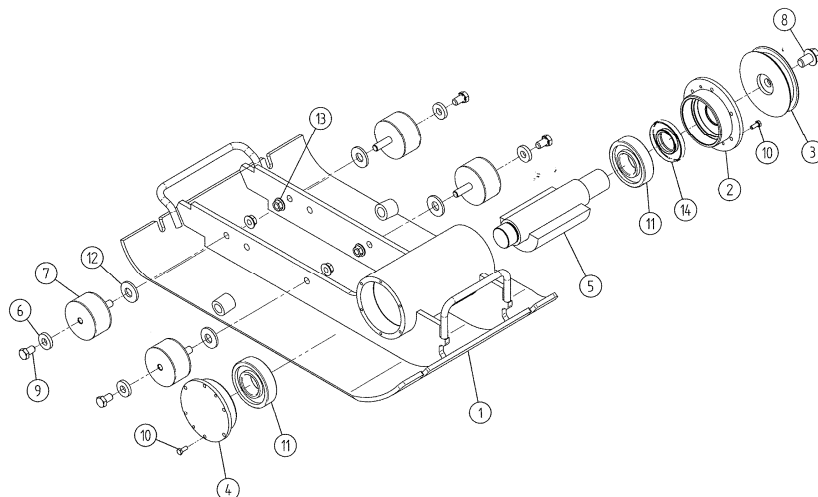
505.301.002 PLANCHA

SHEET
PLAQUE
PLATTE

NUMERO	NOTAS	CÓDIGO	Ud.	DENOMINACIÓN	DESCRIPTION	DESIGNATION	BESCHREIBUNG
1	1)	200.000.086	1	PLACA COMPLETA	PLATE COMP	PLAQUE COMPL.	BODENWANNE KPL.
2	1)	200.000.084	1	MTJE. MOTOR EQP	ENGINE ASSEMB.	MTJE. MOTEUR	MOTORAUFBAU
3		479.151.713	1	LANZA	CART POLE	LANCE	STRAHLWERFER
1) Ver despiece			1)	See parts	1) Voir pieces detachee		1) Details sehen

PLACA COMPLETA

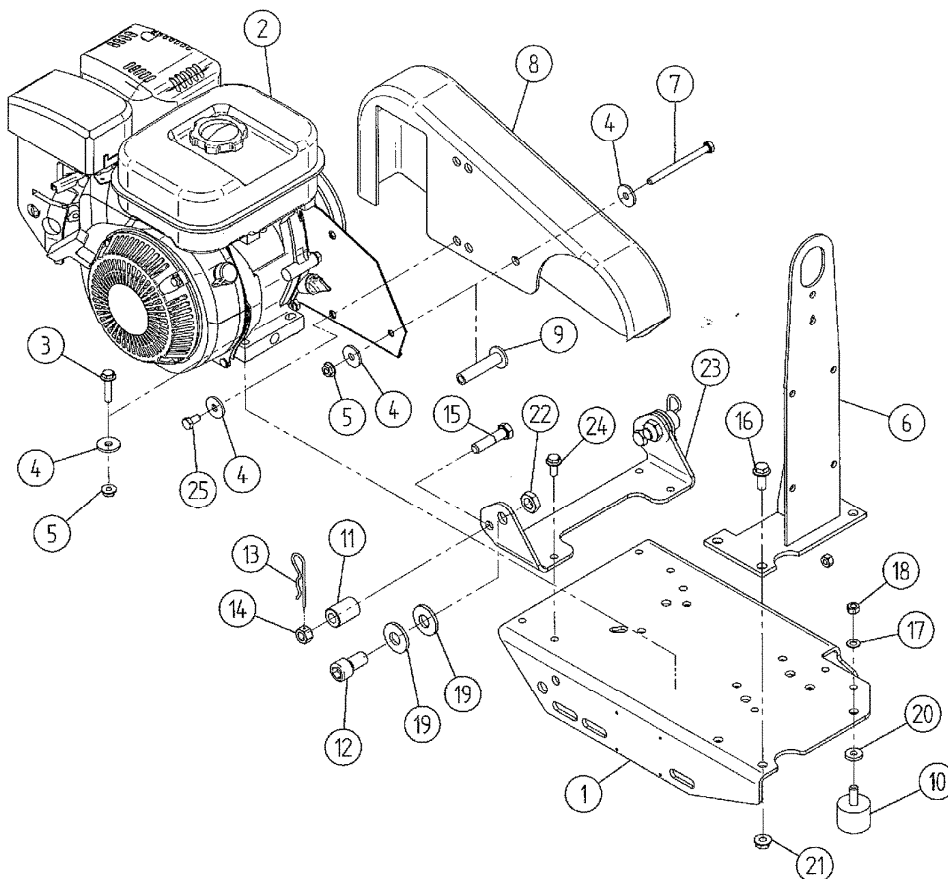
200.000.086



200.000.086 PLACA COMPLETA
PLATE COMP
PLAQUE COMPL.
BODENWANNE KPL.

NUMERO	NOTAS	CÓDIGO	Ud.	DENOMINACIÓN	DESCRIPTION	DESIGNATION	BESCHREIBUNG
1		479.126.693	1	PLACA	PLATE	PLAQUE	PLATTE
2		479.128.100	1	TAPA	COVER	COUVERCLE	DECKEL
3		479.133.306	1	POLEA	PULLEY	POULIE	RIEMENSCHLEIBE
4		479.126.699	1	TAPA	COVER	COUVERCLE	DECKEL
5		479.151.261	1	EJE	AXLE	AXE	ACHSE
6		479.094.420	4	ARANDELA	WASHER	RONDELLE	SCHEIBE
7		479.198.738	4	AMORTIGUADOR	SHOCK ABSORBER	AMORTISSEUR	SCHWINGMETALL
8		479.192.629	1	TORNILLO	SCREW	VIS	SCHRAUBE
9		479.090.282	4	TORNILLO	SCREW	VIS	SCHRAUBE
10		479.091.054	12	TORNILLO	SCREW	VIS	SCHRAUBE
11		479.094.553	2	RODAMIENTO	BEARING	ROULEMENT	LAGER
12		479.192.105	4	ARANDELA	WASHER	RONDELLE	SCHEIBE
13		479.090.370	4	TUERCA	NUT	ECROU	MUTTER
14		479.191.890	1	JUNTA	GASKET	JOINT	DICHTUNG

200.000.084



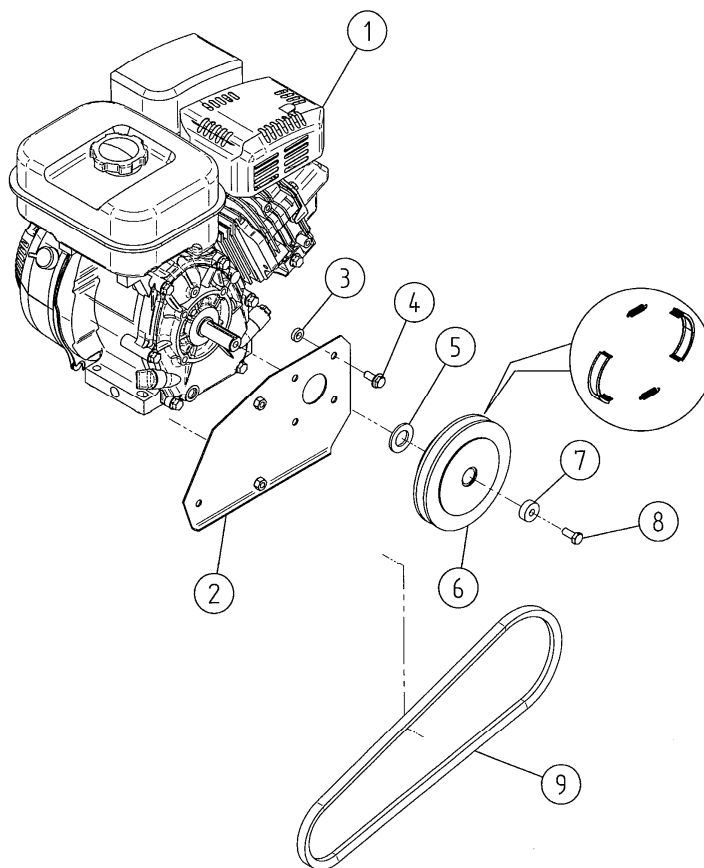
200.000.084 MTJE. MOTOR EQP
 ENGINE ASSEMB.
 MTJE. MOTEUR
 MOTORAUFBAU

NUMERO	NOTAS	CÓDIGO	Ud.	DENOMINACIÓN	DESCRIPTION	DESIGNATION	BESCHREIBUNG
1		479.128.104		1 PLACA BASE	BASE PLATE	PLAQUE DE BASE	BODENPLATTE
2	1)	200.000.085		1 MOTOR COMPLETO	ENGINE COMPL.	MOTEUR COMPL.	MOTOR KOMPL.
3		479.198.725		4 TORNILLO	SCREW	VIS	SCHRAUBE

4	479.193.613	8ARANDELA	WASHER	RONDELLE	SCHEIBE
5	479.096.187	9TUERCA	NUT	ECROU	MUTTER
6	479.150.698	1TIRADOR	HANDLE	TIREUR	GRIFF
7	479.097.759	1TORNILLO	SCREW	VIS	SCHRAUBE
8	479.024.459	1PROTECTOR	PROTECTOR	PROTECTEUR	SCHUTZ
9	479.133.313	1MANGUITO	SLEEVE	DOUILLE	HULSE
10	479.290.302	1AMORTIGUADOR	SHOCK ABSORBER	AMORTISSEUR	SCHWINGMETALL
11	479.128.177	2TOPE	STOP	BUTEE	ANSCHLAG
12	479.099.364	2TORNILLO	SCREW	VIS	SCHRAUBE
13	479.194.288	2PASADOR	PIN	CHEVILLE	STIFT
14	479.194.290	2TUERCA	NUT	ECROU	MUTTER
15	479.194.289	2TORNILLO	SCREW	VIS	SCHRAUBE
16	479.195.476	4TORNILLO	SCREW	VIS	SCHRAUBE
17	479.094.990	1ARANDELA	WASHER	RONDELLE	SCHEIBE
18	479.094.734	2TUERCA	NUT	ECROU	MUTTER
19	479.192.105	4ARANDELA	WASHER	RONDELLE	SCHEIBE
20	479.094.735	1ARANDELA	WASHER	RONDELLE	SCHEIBE
21	479.090.028	4TUERCA	NUT	ECROU	MUTTER
22	479.091.043	2TUERCA	NUT	ECROU	MUTTER
23	479.151.459	1SOPORTE	BRACKET	SUPPORT	LAGERUNG
24	479.197.370	4TORNILLO	SCREW	VIS	SCHRAUBE
25	479.090.121	2TORNILLO	SCREW	VIS	SCHRAUBE
	1) Ver despiece	1) See parts	1) Voir pieces detachee		1) Details sehen

MOTOR COMPLETO

200.000.085



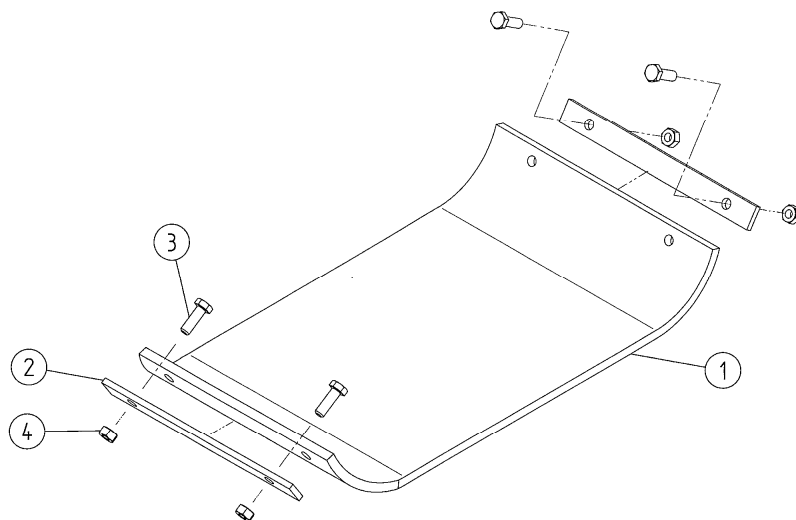
200.000.085 MOTOR COMPLETO
ENGINE COMPL.
MOTEUR COMPL.
MOTOR KOMPL.

NUMERO	NOTAS	CÓDIGO	Ud.	DENOMINACIÓN	DESCRIPTION	DESIGNATION	BESCHREIBUNG
-		479.199.892	1	MUELLE	SPRING	RESSORT	FEDER
-		479.199.681	1	BUJIA	SPARKING PLUG	BOUGIE	KERZE
-		479.199.786	1	MEDIDOR ACEITE	DIPSTICK-OIL	JAUGE A HUILE	MESSSTAB-OL
-		479.290.349	1	TIRADOR	HANDLE	TIREUR	GRIFF
-		479.199.819	1	CUERDA ARRANQUE	STARTERROPE	CORDAGE DEMARR.	STARTERSEIL
-		479.199.829	1	INTERRUPTOR	SWITCH	COMMUTATEUR	SCHALTER
-		479.199.796	1	TAPA	COVER	COUVERCLE	DECKEL

-	479.199.682	1CONECTOR	CONNECTOR	CONNECTEUR	STECKER
-	479.199.754	1FILTRO DE AIRE	AIR FILTER	FILTRE AIR	LUFTFILTER
1	479.198.702	1MOTOR	ENGINE	MOTEUR	MOTOR
2	479.128.105	1PLACA	PLATE	PLAQUE	PLATTE
3	479.149.705	4CASQUILLO	BUSHING	DOUILLE	BUCHSE
4	479.197.370	4TORNILLO	SCREW	VIS	SCHRAUBE
5	479.090.262	1ARANDELA	WASHER	RONDELLE	SCHEIBE
6	479.198.710	1EMBRAGUE	CLUTCH	EMBRAYAGE	KUPPLUNG
7	479.148.957	1ARANDELA	WASHER	RONDELLE	SCHEIBE
8	479.090.461	1TORNILLO	SCREW	VIS	SCHRAUBE
9	479.190.761	1CORREA	BELT	COURROIE	RIEMEN

PLACA

479.151.524



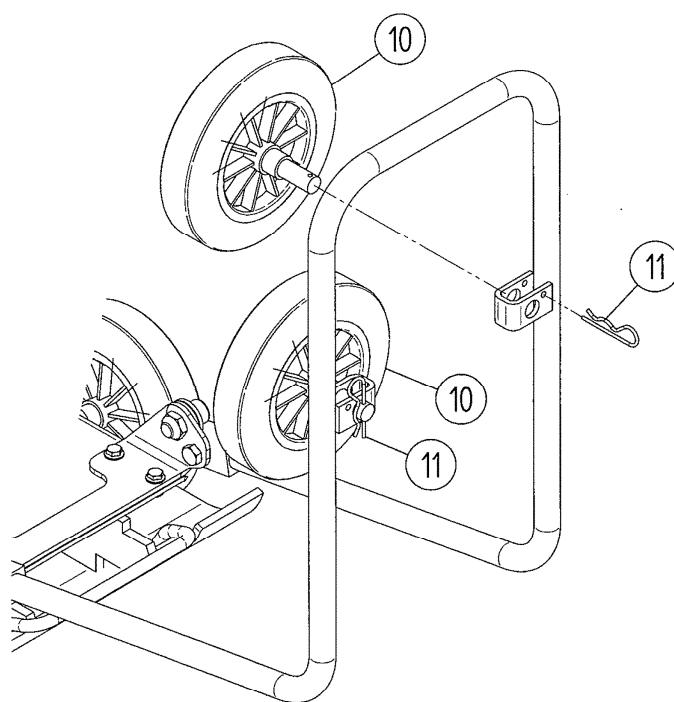
479.151.534 PLACA

PLATE
PLAQUE
PLATTE

NUMERO	NOTAS	CÓDIGO	Ud.	DENOMINACIÓN	DESCRIPTION	DESIGNATION	BESCHREIBUNG
1		479.151.534	1	PLACA	PLATE	PLAQUE	PLATTE
2		479.149.726	2	BANDA	STRIP	BANDE	STREIFEN
3		479.094.904	4	TORNILLO	SCREW	VIS	SCHRAUBE
4		479.094.905	4	TUERCA	NUT	ECROU	MUTTER

KIT RUEDAS

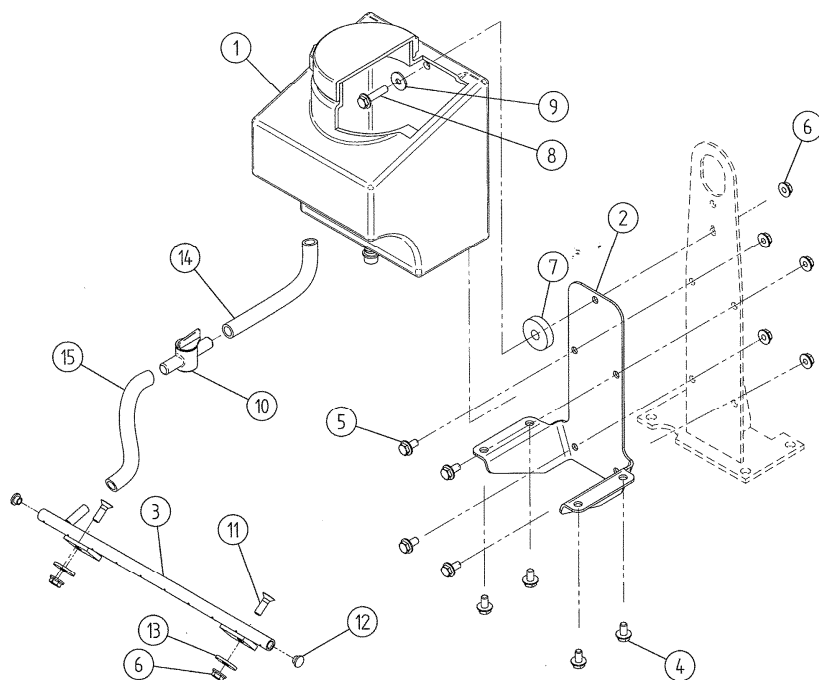
479.151.013



479.151.013 KIT RUEDAS WHEEL KIT KIT ROUE RAD KIT

NUMERO	NOTAS	CÓDIGO	Ud.	DENOMINACIÓN	DESCRIPTION	DESIGNATION	BESCHREIBUNG
10		479.151.014	2	RUEDA	WHEEL	ROUE	RAD
11		479.194.288	2	PASADOR	PIN	CHEVILLE	STIFT

479.151.430



**479.151.430INSTALAC. RIEGO
SPRINKLER SYST.
INST. D'ARROSA.
BEWASSERUNG**

NUMERO	NOTAS	CÓDIGO	Ud.	DENOMINACIÓN	DESCRIPTION	DESIGNATION	BESCHREIBUNG
1		479.132.008	1	DEPOSITO AGUA	WATER TANK	RESERVOIR EAU	WASSERTANK
2		479.151.349	1	SOPORTE	BRACKET	SUPPORT	LAGERUNG
3		479.149.796	1	TUBO	TUBE	TUBE	ROHR
4		479.197.386	4	TORNILLO	SCREW	VIS	SCHRAUBE
5		479.197.364	4	TORNILLO	SCREW	VIS	SCHRAUBE
6		479.096.187	7	TUERCA	NUT	ECROU	MUTTER
7		479.119.775	1	ARANDELA	WASHER	RONDELLE	SCHEIBE
8		479.198.725	1	TORNILLO	SCREW	VIS	SCHRAUBE

9	479.290.325	1	ARANDELA	WASHER	RONDELLE	SCHEIBE
10	479.194.626	1	GRIFO	TAP	ROBINET	HAHN
11	479.198.143	2	TORNILLO	SCREW	VIS	SCHRAUBE
12	479.198.752	2	TAPON	PLUG	BOUCHON	VERSCHLUSS
13	479.193.613	2	ARANDELA	WASHER	RONDELLE	SCHEIBE
14	479.082.631	0,07	TUBO FLEX.(M.)	HOSE (M.)	TUYEAU (M.)	LUTTSCHLAUCH(M)
15	479.082.631	0,02	TUBO FLEX.(M.)	HOSE (M.)	TUYEAU (M.)	LUTTSCHLAUCH(M)