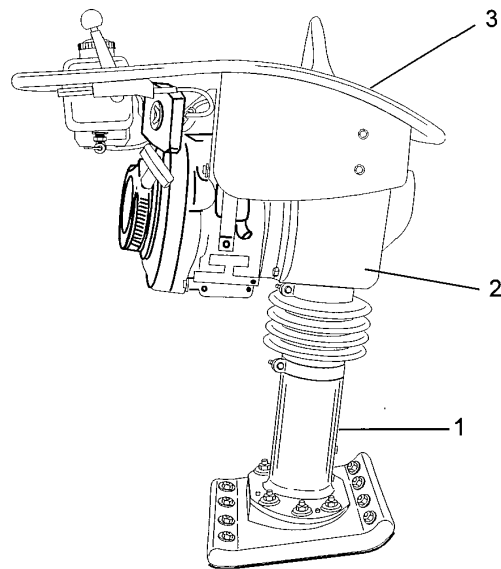


PISON

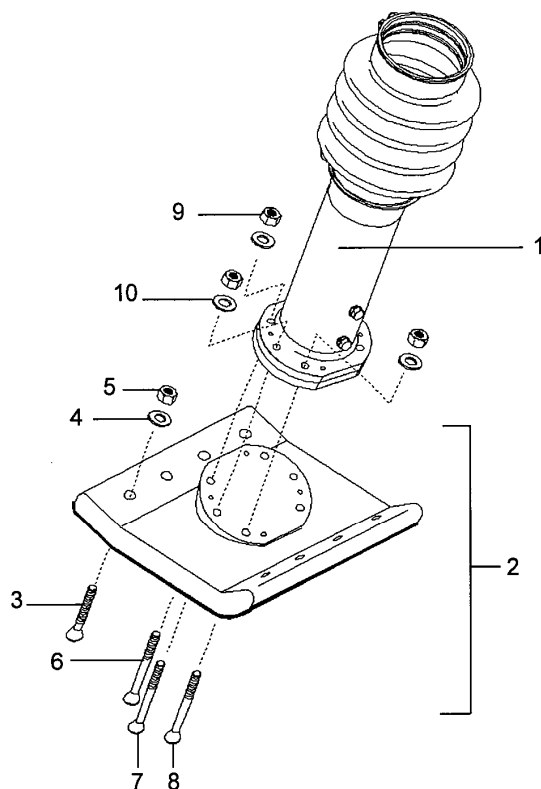


479.150.686 PISON

**RAMMER
PILONNEUSE
STAMPFER**

NUMERO	NOTAS	CÓDIGO	Ud.	DENOMINACIÓN	DESCRIPTION	DESIGNATION	BESCHREIBUNG
1		479.138.396	1	PARTE INFERIOR	LOWER PART	PARTIE INFER.	UNTERTEIL
2		479.150.687	1	MTJE. MOTOR EQP	ENGINE ASSEMB.	MTJE. MOTEUR	MOTORAUFBAU
3		479.150.659	1	MANILLAR	HANDLE BAR	MANCH. DE GUID.	LENKER

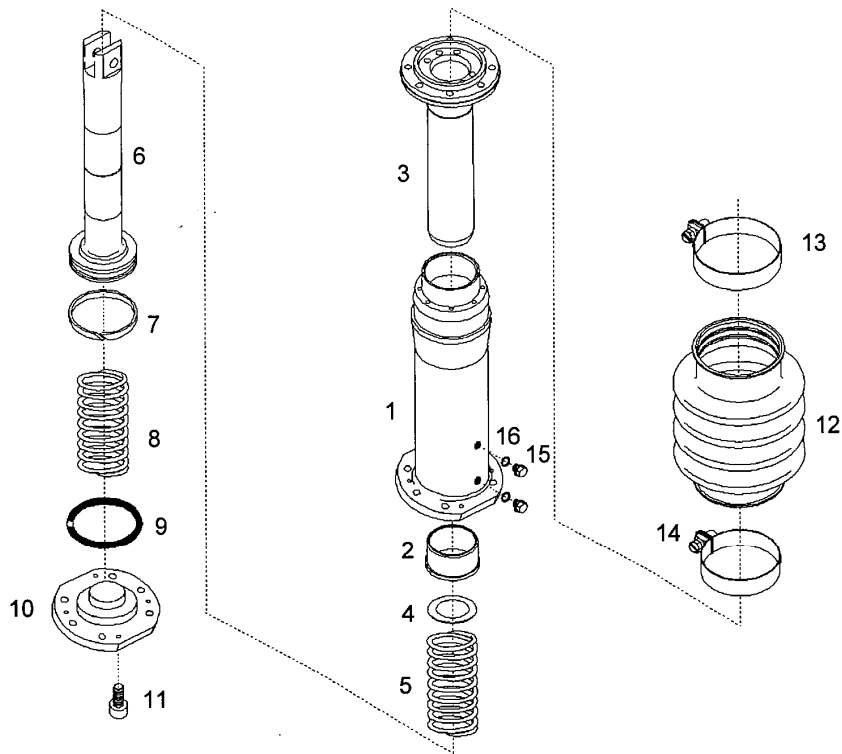
PARTE INFERIOR



479.138.396 PARTE INFERIOR
LOWER PART
PARTIE INFER.
UNTERTEIL

NUMERO	NOTAS	CÓDIGO	Ud.	DENOMINACIÓN	DESCRIPTION	DESIGNATION	BESCHREIBUNG
1		479.138.394	1	COLUMNA COMP.	TAMPING FOOT C.	PIED COMP.	ZYLINDER KOMPL.
2		479.138.397	1	PLACA COMPLETA	PLATE COMP	PLAQUE COMPL.	BODENWANNE KPL.
3		479.194.665	8	TORNILLO	SCREW	VIS	SCHRAUBE
4		479.193.613	8	ARANDELA	WASHER	RONDELLE	SCHEIBE
5		479.194.666	8	TUERCA	NUT	ECROU	MUTTER
6		479.195.860	2	TORNILLO	SCREW	VIS	SCHRAUBE
7		479.194.664	2	TORNILLO	SCREW	VIS	SCHRAUBE
8		479.197.322	2	TORNILLO	SCREW	VIS	SCHRAUBE
9		479.096.189	6	TUERCA	NUT	ECROU	MUTTER
10		479.098.416	6	ARANDELA	WASHER	RONDELLE	SCHEIBE

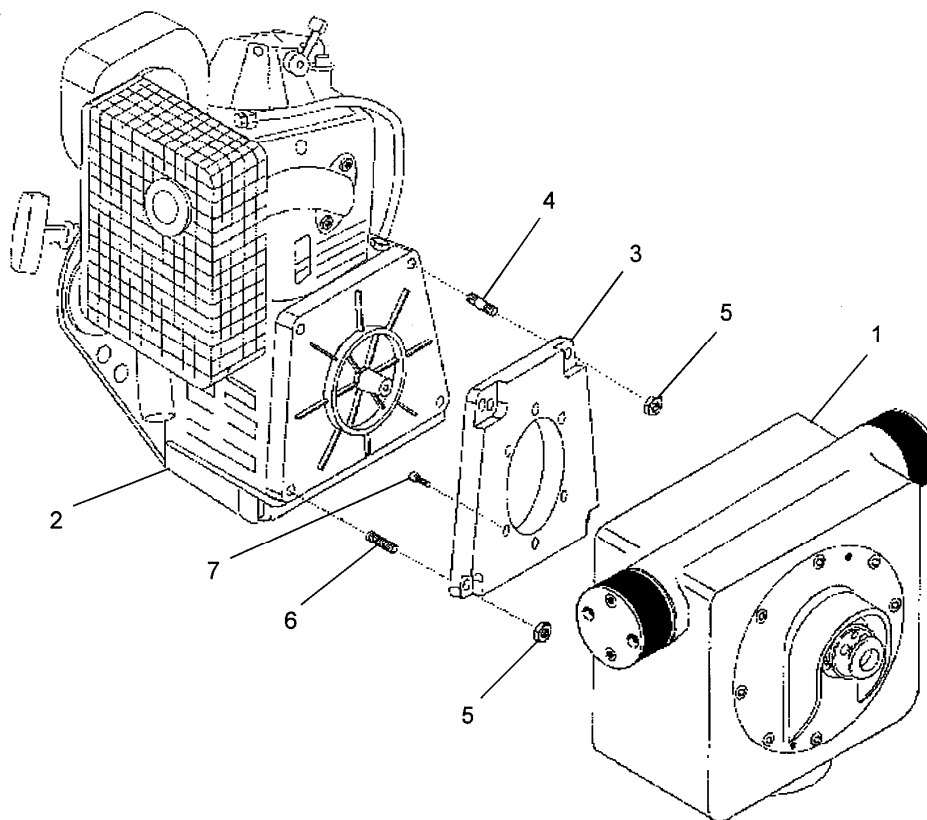
COLUMN COMPLETA



**479.138.394 COLUMN COMP.
TAMPING FOOT C.
PIED COMP.
ZYLINDER KOMPL.**

NUMERO	NOTAS	CÓDIGO	Ud.	DENOMINACIÓN	DESCRIPTION	DESIGNATION	BESCHREIBUNG
1		479.138.393	1	COLUMNA C/CASQU	CYLINDER SLEEVE	CYLINDRE FOURR.	ZYLINDER BUCHSE
2		479.141.073	1	CASQUILLO	BUSHING	DOUILLE	BUCHSE
3		479.108.221	1	TUBO GUIA	GUIDE TUBE	TUBE DE GUIDAGE	FUHRUNGSRÖHR
4		479.197.326	1	ARANDELA	WASHER	RONDELLE	SCHEIBE
5		479.191.701	1	MUELLE AMARILLO	SPRING YELLOW	RESSORT JAUNE	FEDER GELB
6		479.138.405	1	PISTON	PISTON	PISTON	KOLBEN
7		479.142.895	1	ANILLO	RING	ANNEAU	RING
8		479.196.107	1	MUELLE AZUL	SPRING BLUE	RESSORT BLEU	FEDER BLAU
9		479.191.349	1	JUNTA TORICA	O-RING	JOINT TORIQUE	RUNDDICHTRING
10		479.141.823	1	PLACA BASE	BASE PLATE	PLAQUE DE BASE	BODENPLATTE
11		479.090.919	4	TORNILLO	SCREW	VIS	SCHRAUBE
12		479.191.230	1	GUARDAPOLVO	DUST-GUARD	GARDE-POUSSIÈRE	STAUBSCHUTZ
13		479.191.232	1	ABRAZADERA	CLAMP	COLLIER	SHELLE
14		479.191.212	1	ABRAZADERA	CLAMP	COLLIER	SHELLE
15		479.190.409	2	TAPON	PLUG	BOUCHON	VERSCHLUSS
16		479.091.417	2	JUNTA	GASKET	JOINT	DICHTUNG

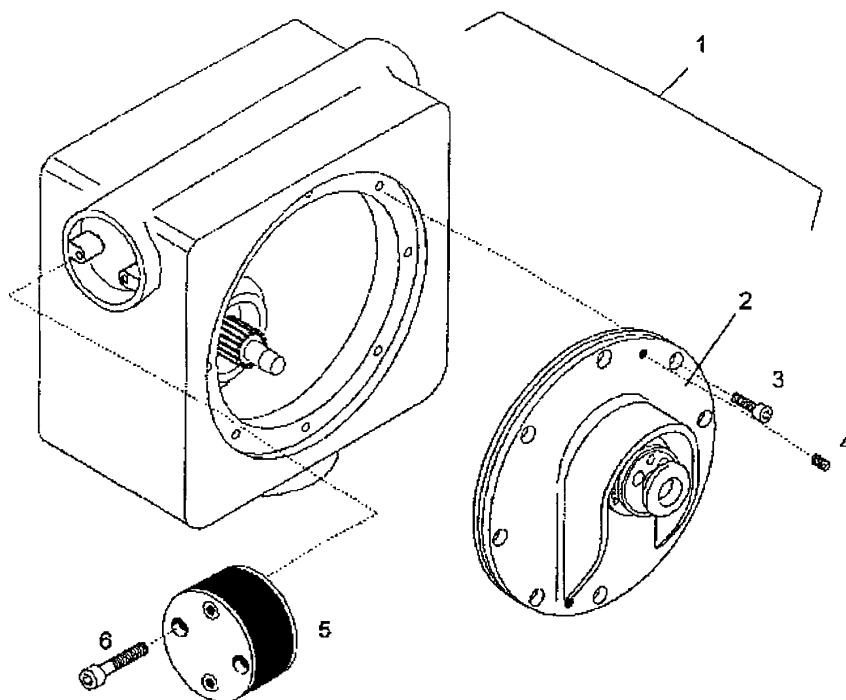
MONTAJE DE MOTOR



**479.150.687 MTJE. MOTOR EQP
ENGINE ASSEMB.
MTJE. MOTEUR
MOTORAUFBAU**

NUMERO	NOTAS	CÓDIGO	Ud.	DENOMINACIÓN	DESCRIPTION	DESIGNATION	BESCHREIBUNG
1		200.000.047	1	CAJA ENGRANAJE	GEAR BOX	BOITIER ENGREN.	VERTEILERG.KOMP
2		479.150.658	1	MOTOR COMPLETO	ENGINE COMPL.	MOTEUR COMPL.	MOTOR KOMPL.
3		479.149.779	1	PLACA	PLATE	PLAQUE	PLATTE
4		479.095.538	2	ESPARRAGO	STUD	TOURILLON	STEBBOLZEN
5		479.090.028	6	TUERCA	NUT	ECROU	MUTTER
6		479.194.269	2	ESPARRAGO	STUD	TOURILLON	STEBBOLZEN
7		479.093.007	6	TORNILLO	SCREW	VIS	SCHRAUBE

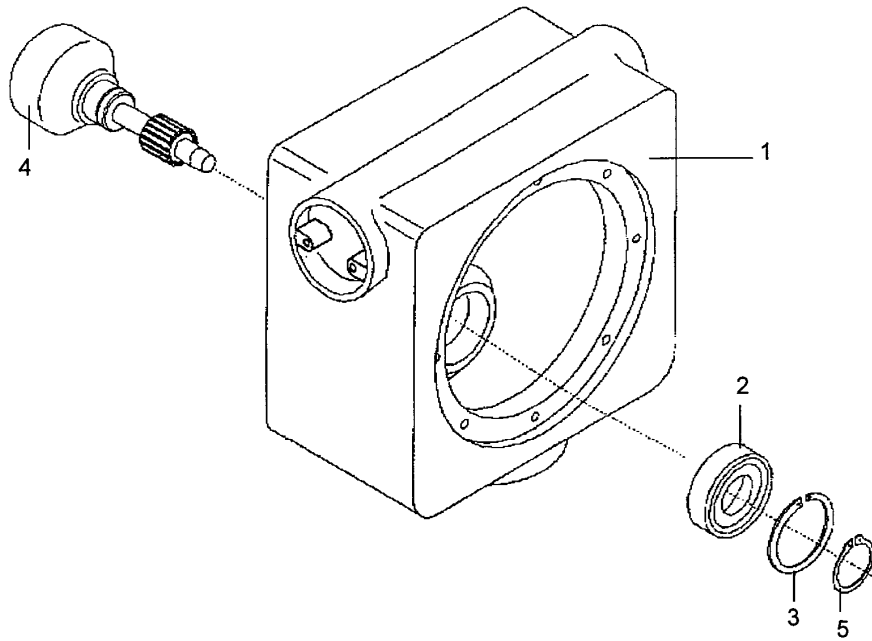
CAJA DE ENGRANAJES



200.000.047 CAJA ENGRANAJE
GEAR BOX
BOITIER ENGREN.
VERTEILERG.KOMP

NUMERO	NOTAS	CÓDIGO	Ud.	DENOMINACIÓN	DESCRIPTION	DESIGNATION	BESCHREIBUNG
1		479.150.651		1 CARCASA	HOUSING	CARTER	GEHAUSE
2	1)	479.138.388		1 TAPA COMPLETA	COVER COMPLETE	COUVERCLE COMPL	DEKEL KOMPL.
3		479.091.160		8 TORNILLO	SCREW	VIS	SCHRAUBE
4		479.090.017		2 TORNILLO	SCREW	VIS	SCHRAUBE
5		479.191.856		2 AMORTIGUADOR	SHOCK ABSORBER	AMORTISSEUR	SCHWINGMETALL
6		479.094.149		4 TORNILLO	SCREW	VIS	SCHRAUBE
1) Ver despiece			1)	See parts	Voir pieces detachee		1) Details sehen

CARCASA



479.150.651 CARCASA

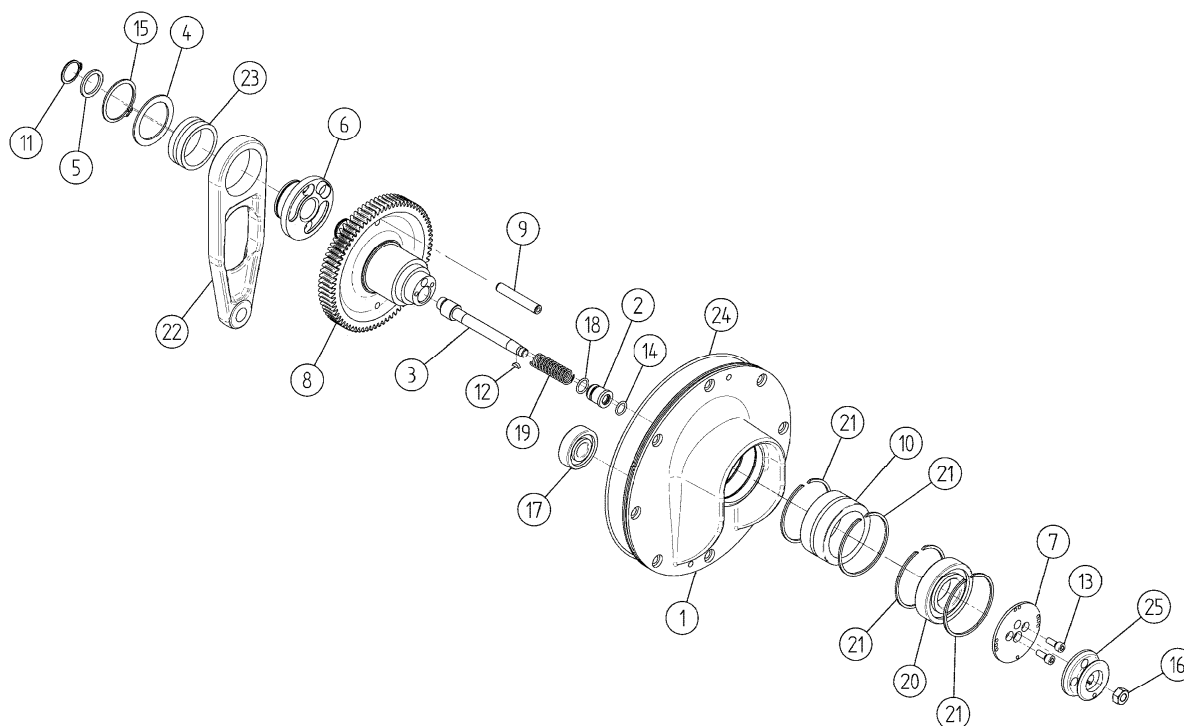
HOUSING CARTER GEHAUSE

NUMERO	NOTAS	CÓDIGO	Ud. DENOMINACIÓN	DESCRIPTION	DESIGNATION	BESCHREIBUNG
1		479.149.480	1 CARCASA	HOUSING	CARTER	GEHAUSE
2		479.099.779	1 RODAMIENTO	BEARING	ROULEMENT	LAGER
3		479.092.919	1 ANILLO ELASTICO	CIRCLIP	CIRCLIP	SICHERUNGSRING
4		479.108.210	1 EJE	AXLE	AXE	ACHSE
5		479.090.555	1 ANILLO ELASTICO	CIRCLIP	CIRCLIP	SICHERUNGSRING

LEBRERO 479.138.388

479.150.916-PL-370D-02 - 3185 - 2005-01

16

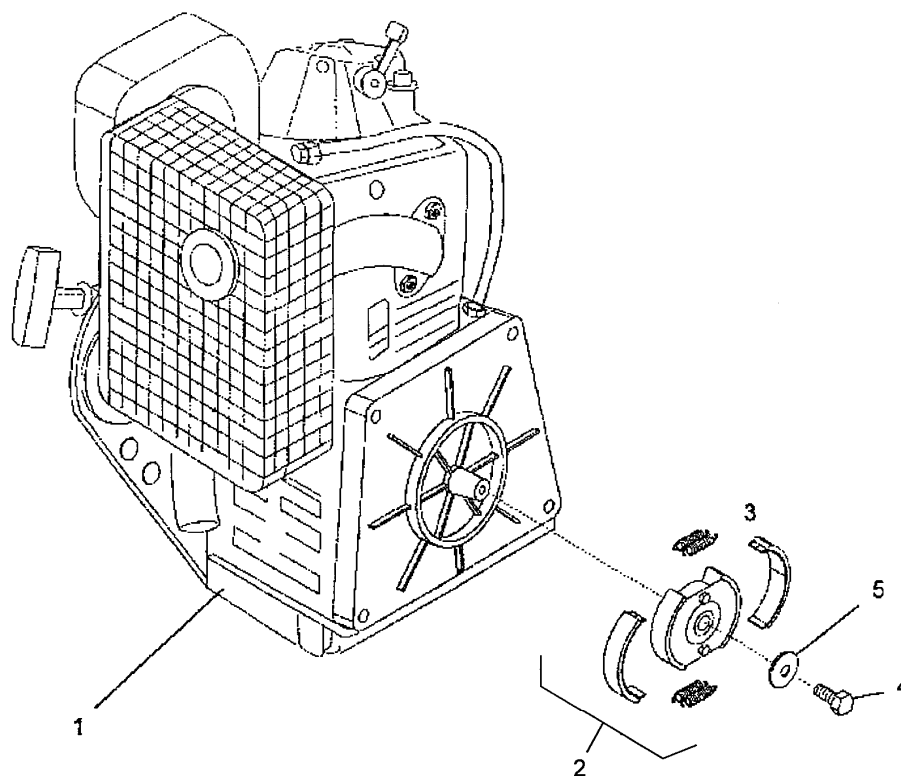


479.138.388 TAPA COMPLETA
COVER COMPLETE
COUVERCLE COMPL
DEKEL KOMPL.

NUMERO	NOTAS	CÓDIGO	Ud.	DENOMINACIÓN	DESCRIPTION	DESIGNATION	BESCHREIBUNG
1		479.138.380		1 TAPA	COVER	COUVERCLE	DECKEL
2		479.190.820		1 JUNTA TORICA	O-RING	JOINT TORIQUE	RUNDDICHTRING
3		479.096.397		1 RODAMIENTO	BEARING	ROULEMENT	LAGER
4		479.099.776		4 ANILLO ELASTICO	CIRCLIP	CIRCLIP	SICHERUNGSRING
5		479.101.326		1 CASQUILLO	BUSHING	DOUILLE	BUCHSE
6		479.099.775		1 RODAMIENTO	BEARING	ROULEMENT	LAGER
7		479.097.360		1 JUNTA TORICA	O-RING	JOINT TORIQUE	RUNDDICHTRING
8		479.091.256		1 JUNTA TORICA	O-RING	JOINT TORIQUE	RUNDDICHTRING
9		479.101.328		1 CASQUILLO	BUSHING	DOUILLE	BUCHSE
10		479.138.403		1 PLACA	PLATE	PLAQUE	PLATTE
11		479.091.034		2 TORNILLO	SCREW	VIS	SCHRAUBE
12		479.138.408		1 MANDO	HANDLE	COMMANDE	STEUERUNG
13		479.094.905		1 TUERCA	NUT	ECROU	MUTTER
14		479.138.407		1 MANIVELA	HAND CRANK	MANIVELLE	HANDKURBEL
15		479.197.339		1 PITON	BOLT	BOULON	BOLZEN
16		479.099.777		1 RODAMIENTO	BEARING	ROULEMENT	LAGER
17		479.099.725		1 MUELLE	SPRING	RESSORT	FEDER
18		479.099.846		1 CHAVETA	FITTING KEY	CLAVETTE	PASSFEDER
19		479.101.398		1 EJE	AXLE	AXE	ACHSE
20		479.093.242		1 ANILLO ELASTICO	CIRCLIP	CIRCLIP	SICHERUNGSRING
21		479.112.632		1 ANILLO	RING	ANNEAU	RING

22	479.138.389	1BIELA	CONTROL LINK	BIELLE	KOPPEL
23	479.099.778	1RODAMIENTO	BEARING	ROULEMENT	LAGER
24	479.192.300	1ANILLO ELASTICO	CIRCLIP	CIRCLIP	SICHERUNGSRING
25	479.121.167	1ANILLO	RING	ANNEAU	RING
26	479.101.315	1MASA EXCENTRICA	ECCENTRIC MASS	MASSE EXCENTR.	EXZENTERMASSE

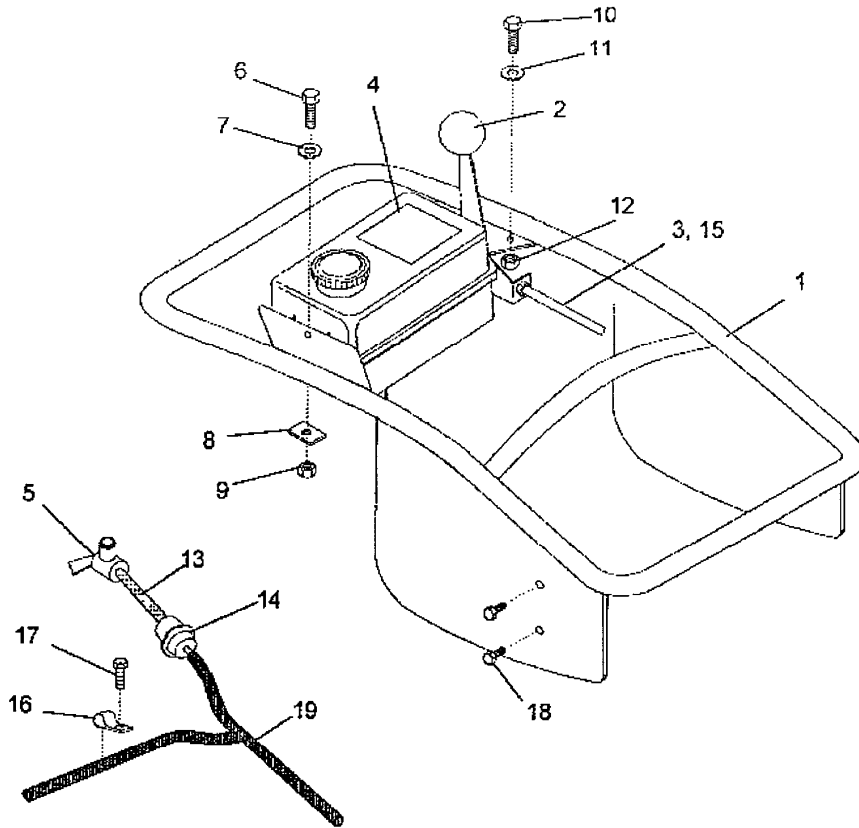
MOTOR COMPLETO



479.150.658 MOTOR COMPLETO
ENGINE COMPL.
MOTEUR COMPL.
MOTOR KOMPL.

NUMERO	NOTAS	CÓDIGO	Ud.	DENOMINACIÓN	DESCRIPTION	DESIGNATION	BESCHREIBUNG
1		479.198.850	1	MOTOR	ENGINE	MOTEUR	MOTOR
2		479.198.875	1	EMBRAGUE	CLUTCH	EMBAYAGE	KUPPLUNG
3		479.290.127	1	ZAPATAS	BRAKE BLOCKS	SABOTS	BREMSBACKE
4		479.198.133	1	TORNILLO	SCREW	VIS	SCHRAUBE
5		479.193.613	1	ARANDELA	WASHER	RONDELLE	SCHEIBE

MANILLAR

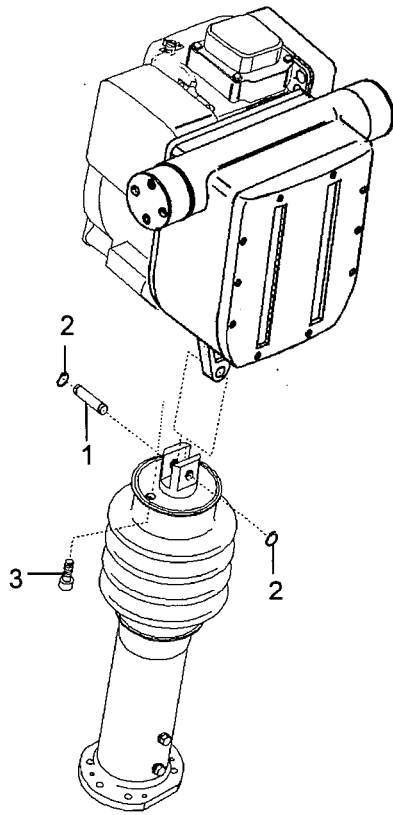


479.150.659 MANILLAR

HANDLE BAR
MANCH. DE GUID.
LENKER

NUMERO	NOTAS	CÓDIGO	Ud.	DENOMINACIÓN	DESCRIPTION	DESIGNATION	BESCHREIBUNG
1		479.150.220	1	MANILLAR	HANDLE BAR	MANCH. DE GUID.	LENKER
2		479.142.870	1	MANDO	HANDLE	COMMANDE	STEUERUNG
3		479.142.871	1	ACELERADOR	ACCELERATOR	ACCELERATEUR	GASHEBEL
4		479.197.329	1	DEPOSITO	TANK	RESERVOIR	TANK
4/1		479.096.867	1	TAPON	PLUG	BOUCHON	VERSCHLUSS
5		479.191.416	1	GRIFO CARBURANT	FUEL TAP	ROBINET CARBUR.	EINWEGHAHN
6		479.093.652	2	TORNILLO	SCREW	VIS	SCHRAUBE
7		479.094.990	2	ARANDELA	WASHER	RONDELLE	SCHEIBE
8		479.142.897	4	PLACA	PLATE	PLAQUE	PLATTE
9		479.096.187	2	TUERCA	NUT	ECROU	MUTTER
10		479.091.054	2	TORNILLO	SCREW	VIS	SCHRAUBE
11		479.090.063	2	ARANDELA	WASHER	RONDELLE	SCHEIBE
12		479.090.305	2	TUERCA	NUT	ECROU	MUTTER
13		479.142.892	1	TUBO	TUBE	TUBE	ROHR
14		479.195.496	1	FILTRO	FILTER	FILTRE	FILTER
15		479.092.332	1	TORNILLO	SCREW	VIS	SCHRAUBE
16		479.193.120	1	ABRAZADERA	CLAMP	COLLIER	SHELLE
17		479.090.121	1	TORNILLO	SCREW	VIS	SCHRAUBE
18		479.198.133	4	TORNILLO	SCREW	VIS	SCHRAUBE
19		479.199.826	1	TUBO	TUBE	TUBE	ROHR

KIT DE CONEXIÓN



479.108.248 KIT CONEXION

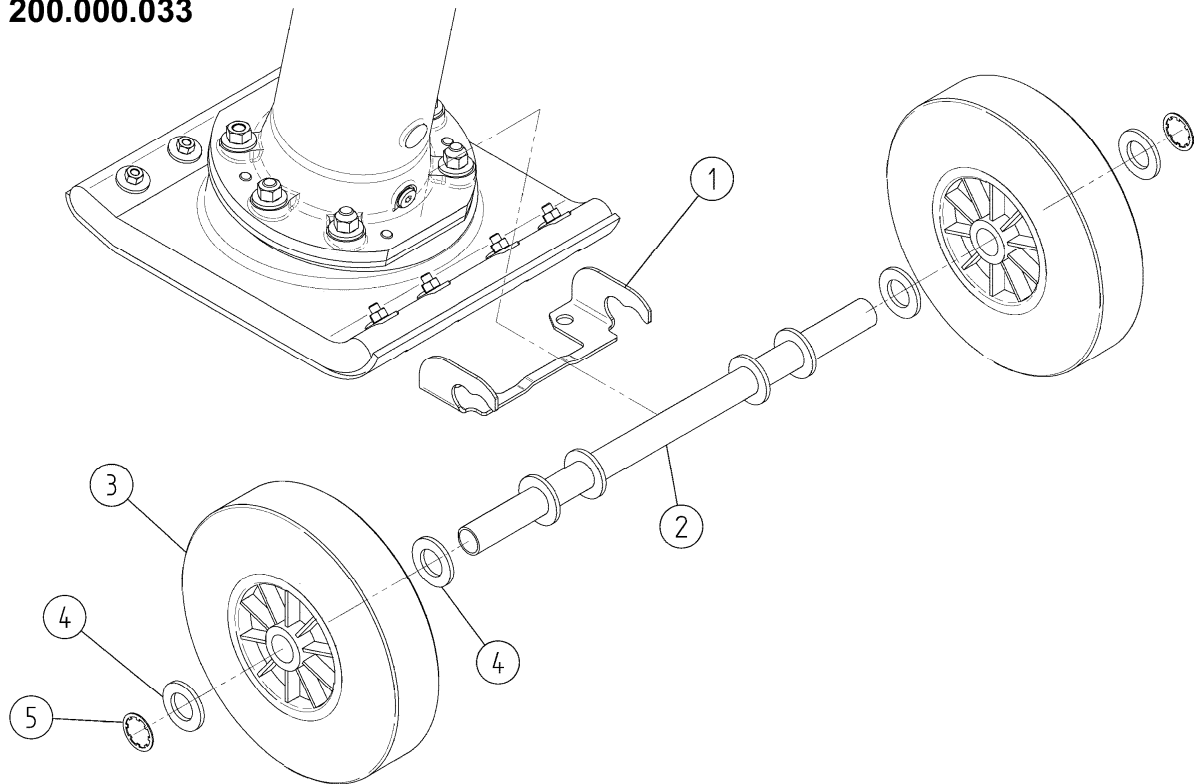
CONECTION KIT JEU CONNEXION SATZ VERBINDUNG

NUMERO	NOTAS	CÓDIGO	Ud.	DENOMINACIÓN	DESCRIPTION	DESIGNATION	BESCHREIBUNG
1		479.101.303		1PASADOR	PIN	CHEVILLE	STIFT
2		479.096.386		2ANILLO ELASTICO	CIRCLIP	CIRCLIP	SICHERUNGSRING
3		479.090.658		8TORNILLO	SCREW	VIS	SCHRAUBE

LEBRERO
200.000.033

479.150.917-PL-170D-02 - 2045 - 2004-06

24


200.000.033 OPCIONALES
OPTIONALS
OPTIONNELS
OPTION

NUMERO	NOTAS	CÓDIGO	Ud.	DENOMINACIÓN	DESCRIPTION	DESIGNATION	BESCHREIBUNG
-		479.040.851	1	CAPOT	BONNET	CAPOT	MOTORHAUBE
-		479.142.835	1	PLACA COMPLETA	PLATE COMP	PLAQUE COMPL.	BODENWANNE KPL.
-		479.151.454	1	KIT RUEDAS	WHEEL KIT	KIT ROUE	RAD KIT
-		479.098.749	2	TOR. DESMONTAJE	SCREW REMOVING	VIS DEMONTAGE	SCHRAUBE DEMON.
1		479.151.446	1	SOPORTE	BRACKET	SUPPORT	LAGERUNG
2		479.151.452	1	EJE	AXLE	AXE	ACHSE
3		479.096.456	2	RUEDA	WHEEL	ROUE	RAD
4		479.090.504	4	ARANDELA	WASHER	RONDELLE	SCHEIBE
5		479.098.975	2	ANILLO	RING	ANNEAU	RING