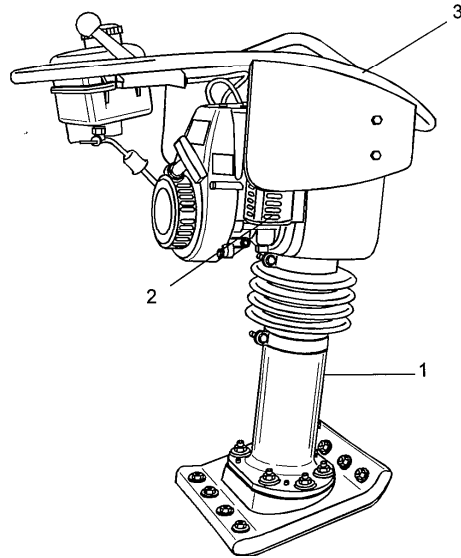


PISON

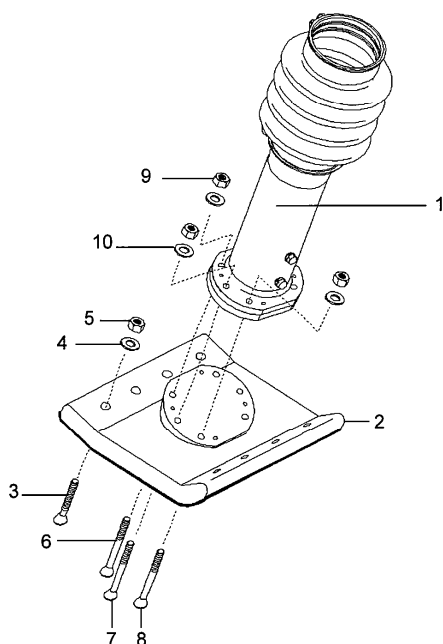


479.148.850 PISON

**RAMMER
PILONNEUSE
STAMPFER**

NUMERO	NOTAS	CÓDIGO	Ud.	DENOMINACIÓN	DESCRIPTION	DESIGNATION	BESCHREIBUNG
1		479.141.057	1	PARTE INFERIOR	LOWER PART	PARTIE INFER.	UNTERTEIL
2		479.148.854	1	MTJE. MOTOR EQP	ENGINE ASSEMB.	MTJE. MOTEUR	MOTORAUFBAU
3		479.149.419	1	MANILLAR	HANDLE BAR	MANCH. DE GUID.	LENKER

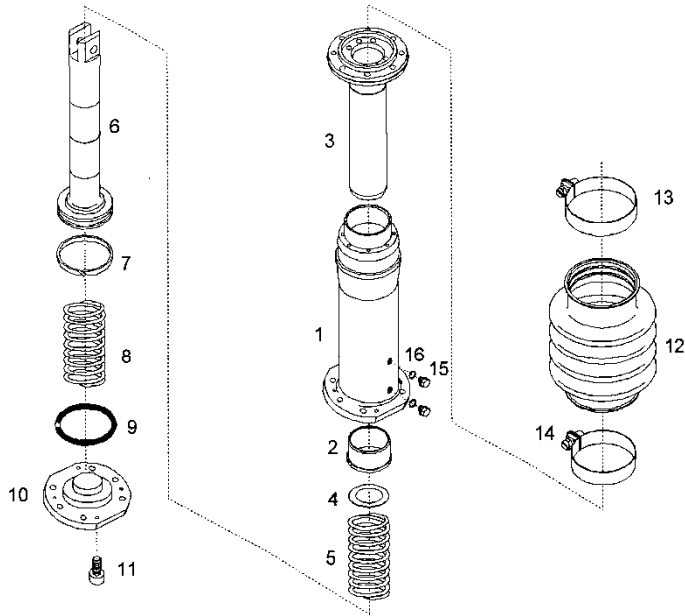
PARTE INFERIOR



479.141.057 PARTE INFERIOR
LOWER PART
PARTIE INFER.
UNTERTEIL

NUMERO	NOTAS	CÓDIGO	Ud.	DENOMINACIÓN	DESCRIPTION	DESIGNATION	BESCHREIBUNG
1		479.141.052	1	COLUMNA COMP.	TAMPING FOOT C.	PIED COMP.	ZYLINDER KOMPL.
2a		479.138.383	1	PLACA	PLATE	PLAQUE	PLATTE
2b		479.138.397	1	PLACA COMPLETA	PLATE COMP	PLAQUE COMPL.	BODENWANNE KPL.
3		479.194.665	8	TORNILLO	SCREW	VIS	SCHRAUBE
4		479.193.613	8	ARANDELA	WASHER	RONDELLE	SCHEIBE
5		479.194.666	8	TUERCA	NUT	ECROU	MUTTER
6		479.195.860	2	TORNILLO	SCREW	VIS	SCHRAUBE
7		479.194.664	2	TORNILLO	SCREW	VIS	SCHRAUBE
8		479.197.322	2	TORNILLO	SCREW	VIS	SCHRAUBE
9		479.096.189	6	TUERCA	NUT	ECROU	MUTTER
10		479.098.416	6	ARANDELA	WASHER	RONDELLE	SCHEIBE

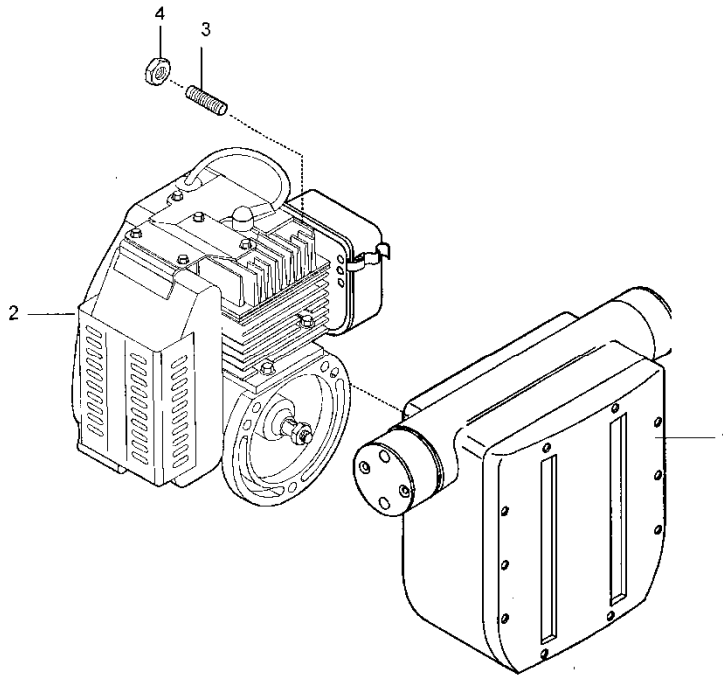
COLUMNA COMPLETA



479.141.052 COLUMN COMP. TAMPING FOOT C. PIED COMP. ZYLINDER KOMPL.

NUMERO	NOTAS	CÓDIGO	Ud.	DENOMINACIÓN	DESCRIPTION	DESIGNATION	BESCHREIBUNG
1		479.138.393	1	COLUMNA C/CASQU	CYLINDER SLEEVE	CYLINDRE FOURR.	ZYLINDER BUCHSE
2		479.141.073	1	CASQUILLO	BUSHING	DOUILLE	BUCHSE
3		479.108.221	1	TUBO GUIA	GUIDE TUBE	TUBE DE GUIDAGE	FUHRUNGSRÖHR
4		479.197.326	1	ARANDELA	WASHER	RONDELLE	SCHEIBE
5		479.191.702	1	MUELLE ROJO	SPRING RED	RESSORT ROUGE	FEDER ROT
6		479.138.405	1	PISTON	PISTON	PISTON	KOLBEN
7		479.142.895	1	ANILLO	RING	ANNEAU	RING
8		479.191.702	1	MUELLE ROJO	SPRING RED	RESSORT ROUGE	FEDER ROT
9		479.191.349	1	JUNTA TORICA	O-RING	JOINT TORIQUE	RUNDDICHTRING
10		479.141.823	1	PLACA BASE	BASE PLATE	PLAQUE DE BASE	BODENPLATTE
11		479.090.919	4	TORNILLO	SCREW	VIS	SCHRAUBE
12		479.191.230	1	GUARDAPOLVO	DUST-GUARD	GARDE-POUSSIÈRE	STAUBSCHUTZ
13		479.191.232	1	ABRAZADERA	CLAMP	COLLIER	SHELLE
14		479.191.212	1	ABRAZADERA	CLAMP	COLLIER	SHELLE
15		479.190.409	2	TAPON	PLUG	BOUCHON	VERSCHLUSS
16		479.091.417	2	JUNTA	GASKET	JOINT	DICHTUNG

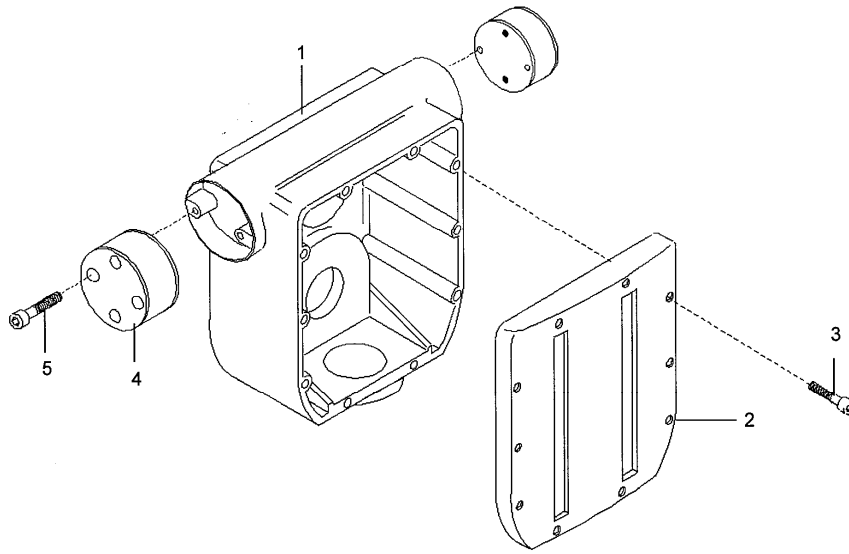
MONTAJE DE MOTOR



**479.148.854 MTJE. MOTOR EQP
ENGINE ASSEMB.
MTJE. MOTEUR
MOTORAUFBAU**

NUMERO	NOTAS	CÓDIGO	Ud.	DENOMINACIÓN	DESCRIPTION	DESIGNATION	BESCHREIBUNG
1		479.148.856	1	CAJA ENGRANAJE	GEAR BOX	BOITIER ENGREN.	VERTEILERG.KOMP
2		479.148.811	1	MOTOR COMPLETO	ENGINE COMPL.	MOTEUR COMPL.	MOTOR KOMPL.
3		479.095.537	3	ESPARRAGO	STUD	TOURILLON	STEBBOLZEN
4		479.096.187	3	TUERCA	NUT	ECROU	MUTTER

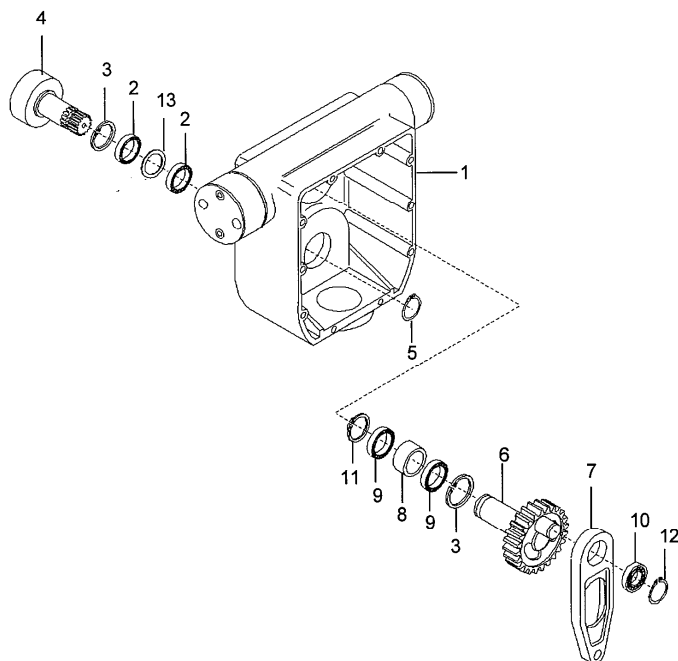
CAJA DE ENGRANAJES



**479.148.856 CAJA ENGRANAJE
GEAR BOX
BOITIER ENGREN.
VERTEILERG.KOMP**

NUMERO	NOTAS	CÓDIGO	Ud.	DENOMINACIÓN	DESCRIPTION	DESIGNATION	BESCHREIBUNG
1		479.148.857	1	CARCASA COMPL.	HOUSING COMPL.	CARTER COMPL.	GEHAUSE KOMPL.
2		479.148.572	1	TAPA	COVER	COUVERCLE	DECKEL
3		479.191.856	2	AMORTIGUADOR	SHOCK ABSORBER	AMORTISSEUR	SCHWINGMETALL
4		479.090.347	10	TORNILLO	SCREW	VIS	SCHRAUBE
5		479.094.149	4	TORNILLO	SCREW	VIS	SCHRAUBE

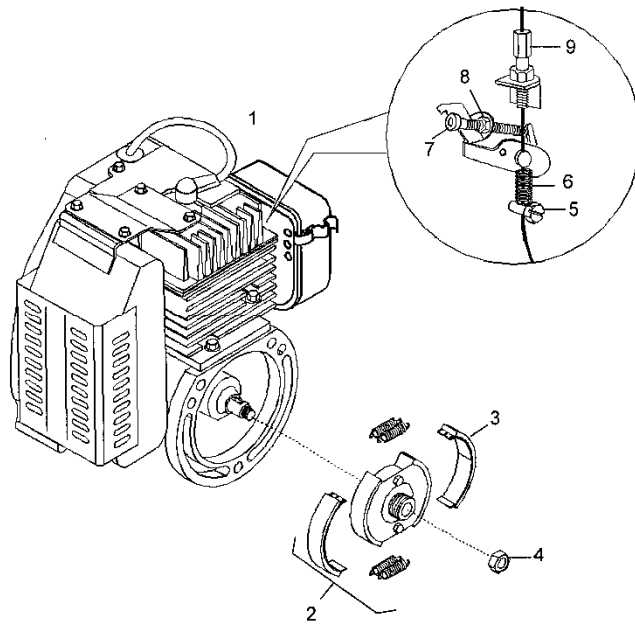
CARCASA COMPLETA



**479.148.857 CARCASA COMPL.
HOUSING COMPL.
CARTER COMPL.
GEHAUSE KOMPL.**

NUMERO	NOTAS	CÓDIGO	Ud.	DENOMINACIÓN	DESCRIPTION	DESIGNATION	BESCHREIBUNG
1		479.148.810	1	CARCASA	HOUSING	CARTER	GEHAUSE
2		479.099.779	2	RODAMIENTO	BEARING	ROULEMENT	LAGER
3		479.092.919	2	ANILLO ELASTICO	CIRCLIP	CIRCLIP	SICHERUNGSRING
4		479.148.063	1	EJE	AXLE	AXE	ACHSE
5		479.090.555	1	ANILLO ELASTICO	CIRCLIP	CIRCLIP	SICHERUNGSRING
6		479.148.062	1	CIGÜEÑAL	CRANKSHAFT	VILEBRIQUIN	KURBELWELLE
7		479.148.064	1	BIELA	CONTROL LINK	BIELLE	KOPPEL
8		479.148.070	1	CASQUILLO	BUSHING	DOUILLE	BUCHSE
9		479.198.093	2	RODAMIENTO	BEARING	ROULEMENT	LAGER
10		479.198.481	1	RODAMIENTO	BEARING	ROULEMENT	LAGER
11		479.198.709	1	ANILLO ELASTICO	CIRCLIP	CIRCLIP	SICHERUNGSRING
12		479.090.718	1	ANILLO ELASTICO	CIRCLIP	CIRCLIP	SICHERUNGSRING
13		479.093.217	1	ARANDELA	WASHER	RONDELLE	SCHEIBE

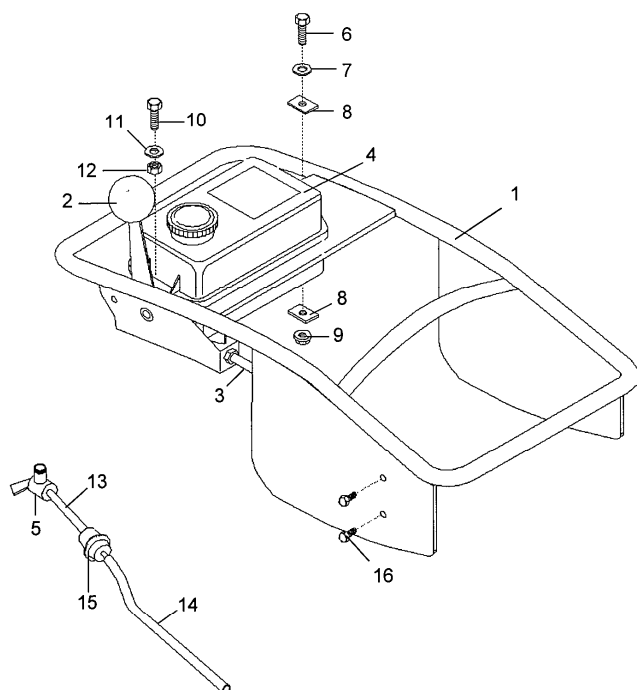
MOTOR COMPLETO



479.148.811 MOTOR COMPLETO ENGINE COMPL. MOTEUR COMPL. MOTOR KOMPL.

NUMERO	NOTAS	CÓDIGO	Ud.	DENOMINACIÓN	DESCRIPTION	DESIGNATION	BESCHREIBUNG	
1		479.198.706	1	MOTOR	ENGINE	MOTEUR	MOTOR	
2	1)	479.191.105	1	EMBRAGUE	CLUTCH	EMBAYAGE	KUPPLUNG	
2A	2)	479.198.931	1	EMBRAGUE	CLUTCH	EMBAYAGE	KUPPLUNG	
3	1)	479.141.824	1	ZAPATAS	BRAKE BLOCKS	SABOTS	BREMSBACKE	
3A	2)	479.150.653	1	ZAPATAS	BRAKE BLOCKS	SABOTS	BREMSBACKE	
4		479.094.905	1	TUERCA	NUT	ECROU	MUTTER	
5		479.191.283	1	TORNILLO	SCREW	VIS	SCHRAUBE	
6		479.195.978	1	MUELLE	SPRING	RESSORT	FEDER	
7		479.096.400	1	TORNILLO	SCREW	VIS	SCHRAUBE	
8		479.094.870	1	TUERCA	NUT	ECROU	MUTTER	
9		479.092.332	1	TORNILLO	SCREW	VIS	SCHRAUBE	
1)	Anulado por la nº 2A y		1)	Canceled by nº	1)	Anulées par nº 2A-3A	1)	Annullieren per nº 2A-3A
3A			2A-3A		4)	Cela remplace les 2 et 3	3A	
4)	Sustituye a 2 y 3		4)	Sustituted by 2 and 3	3		4)	Ersatz für 2 und 3

MANILLAR

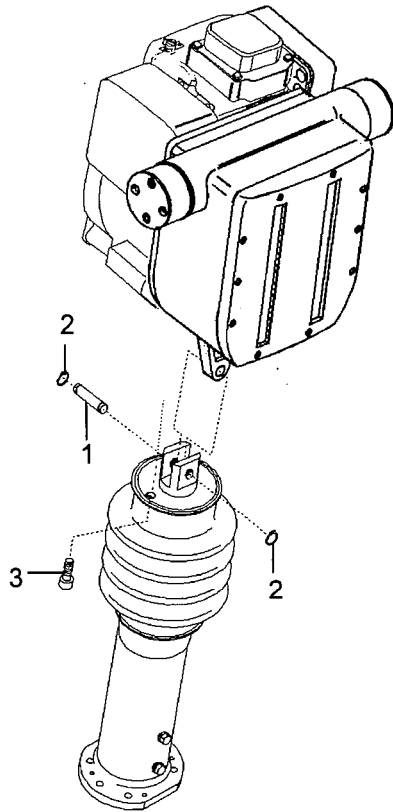


479.149.419 MANILLAR

HANDLE BAR MANCH. DE GUID. LENKER

NUMERO	NOTAS	CÓDIGO	Ud.	DENOMINACIÓN	DESCRIPTION	DESIGNATION	BESCHREIBUNG
1		479.148.893	1	MANILLAR	HANDLE BAR	MANCH. DE GUID.	LENKER
2		479.142.870	1	MANDO	HANDLE	COMMANDE	STEUERUNG
3		479.142.871	1	ACELERADOR	ACCELERATOR	ACCELERATEUR	GASHEBEL
4		479.197.329	1	DEPOSITO	TANK	RESERVOIR	TANK
4/1		479.096.867	1	TAPON	PLUG	BOUCHON	VERSCHLUSS
5		479.191.416	1	GRIFO CARBURANT	FUEL TAP	ROBINET CARBUR.	EINWEGHAHN
6		479.093.652	2	TORNILLO	SCREW	VIS	SCHRAUBE
7		479.094.990	2	ARANDELA	WASHER	RONDELLE	SCHEIBE
8		479.142.897	4	PLACA	PLATE	PLAQUE	PLATTE
9		479.098.187	2	TUERCA	NUT	ECROU	MUTTER
10		479.091.054	2	TORNILLO	SCREW	VIS	SCHRAUBE
11		479.090.063	2	ARANDELA	WASHER	RONDELLE	SCHEIBE
12		479.090.305	2	TUERCA	NUT	ECROU	MUTTER
13		479.142.892	1	TUBO	TUBE	TUBE	ROHR
14		479.142.891	1	TUBO	TUBE	TUBE	ROHR
15		479.195.496	1	FILTRO	FILTER	FILTRE	FILTER
16		479.198.133	4	TORNILLO	SCREW	VIS	SCHRAUBE

KIT CONEXIÓN



479.108.248 KIT CONEXION

CONECTION KIT JEU CONNEXION SATZ VERBINDUNG

NUMERO	NOTAS	CÓDIGO	Ud.	DENOMINACIÓN	DESCRIPTION	DESIGNATION	BESCHREIBUNG
1		479.101.303	1	PASADOR	PIN	CHEVILLE	STIFT
2		479.096.386	2	ANILLO ELASTICO	CIRCLIP	CIRCLIP	SICHERUNGSRING
3		479.090.658	8	TORNILLO	SCREW	VIS	SCHRAUBE